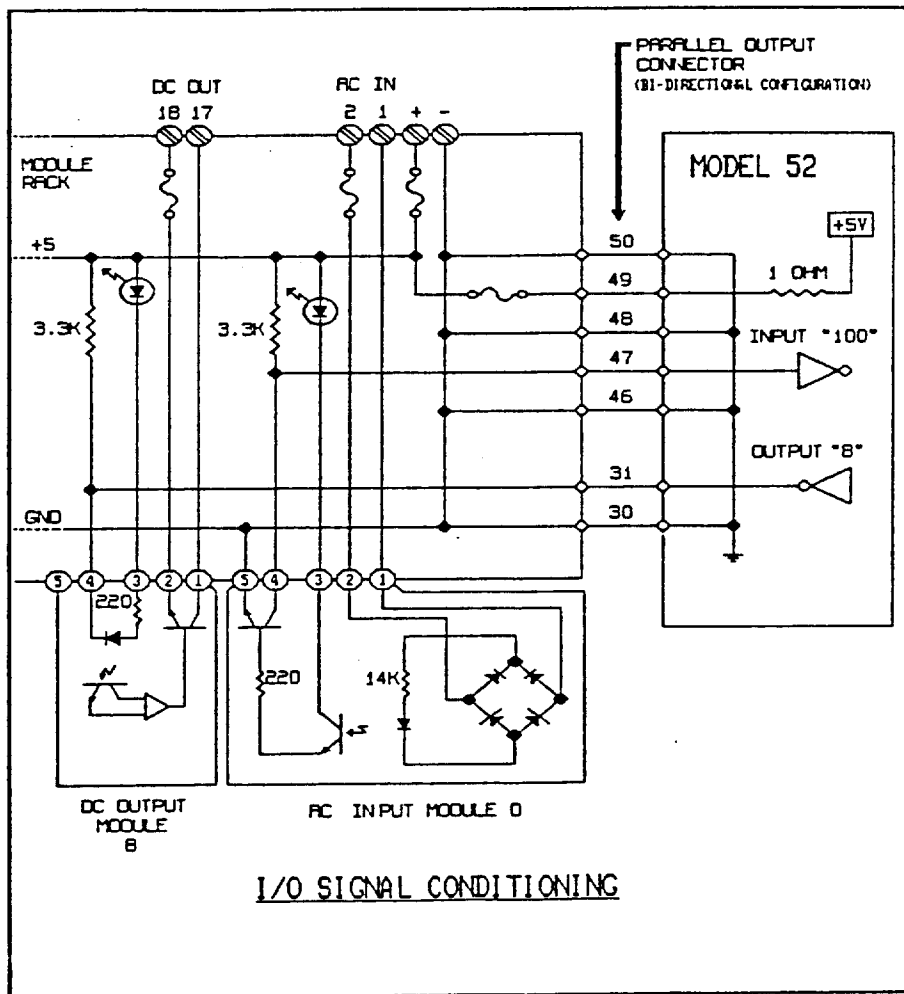


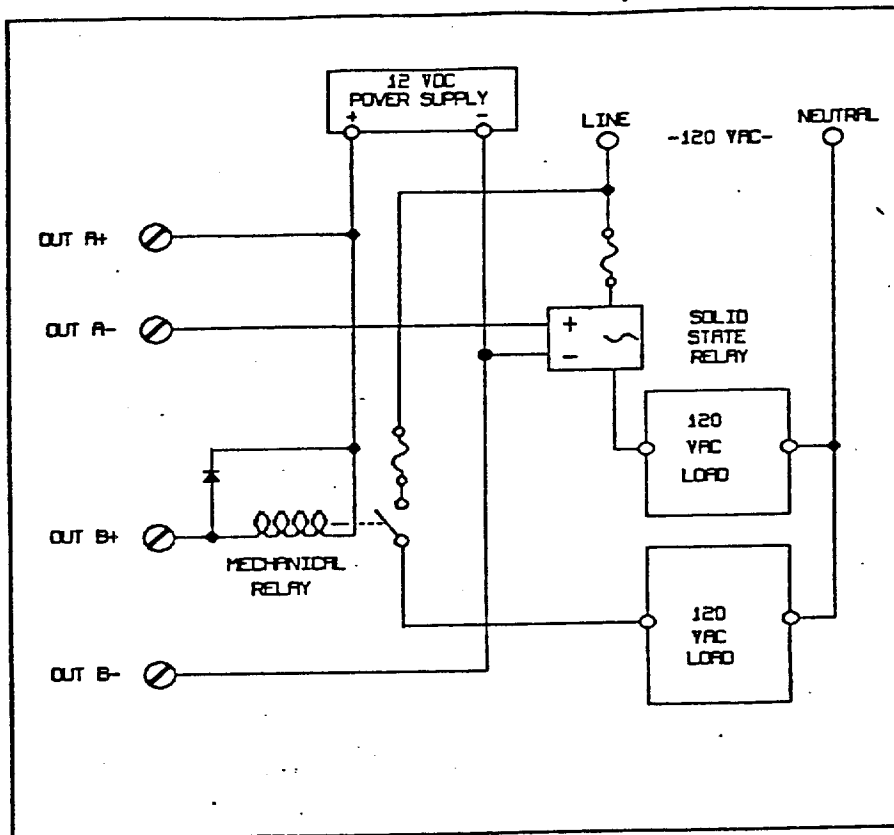
APPENDIX C: SAMPLE I/O CONNECTIONS

C-1 SIGNAL CONDITIONING CIRCUIT

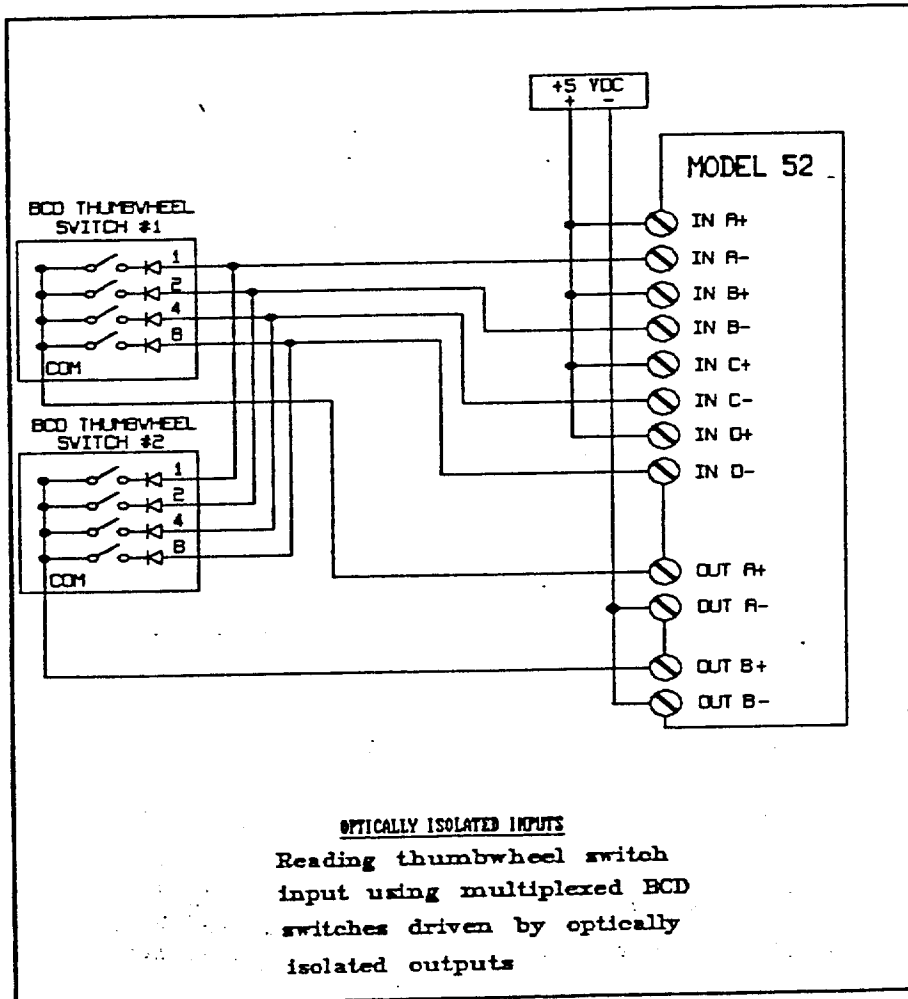
This drawing shows a partial circuit of the Model 52 Parallel Output, configured for bi-directional operation, and connected to a 16 or 24 channel module rack, with AC input and DC output modules plugged in at locations 0 (input) and 8 (output).



C-3 OPTICALLY ISOLATED OUTPUT CIRCUIT

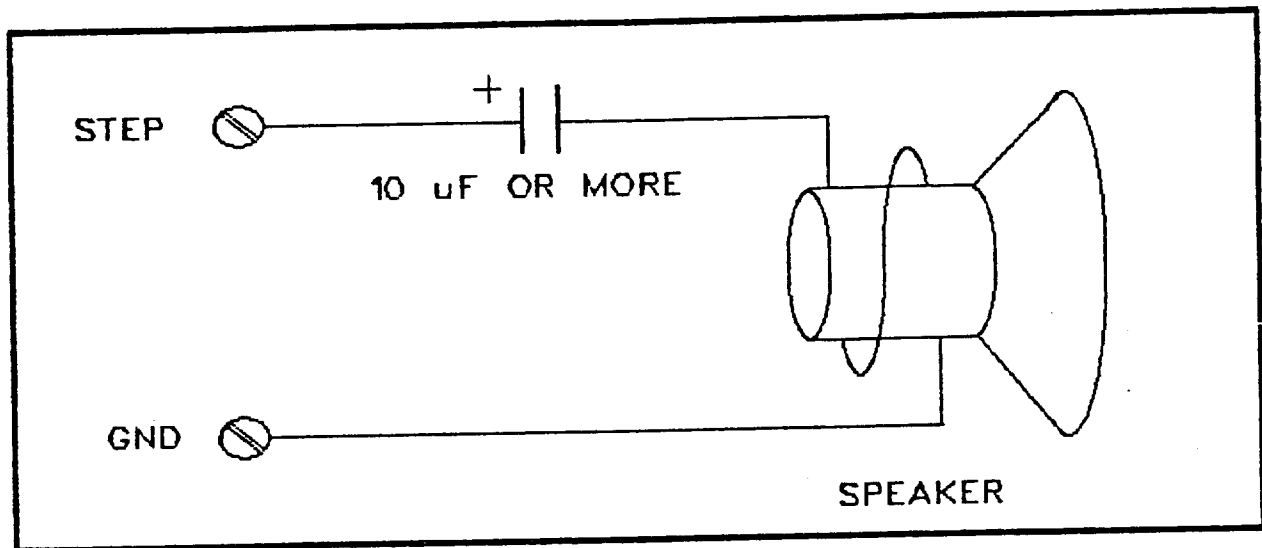


C-4 OPTICALLY ISOLATED MULTIPLEXED THUMBWHEEL SWITCHES

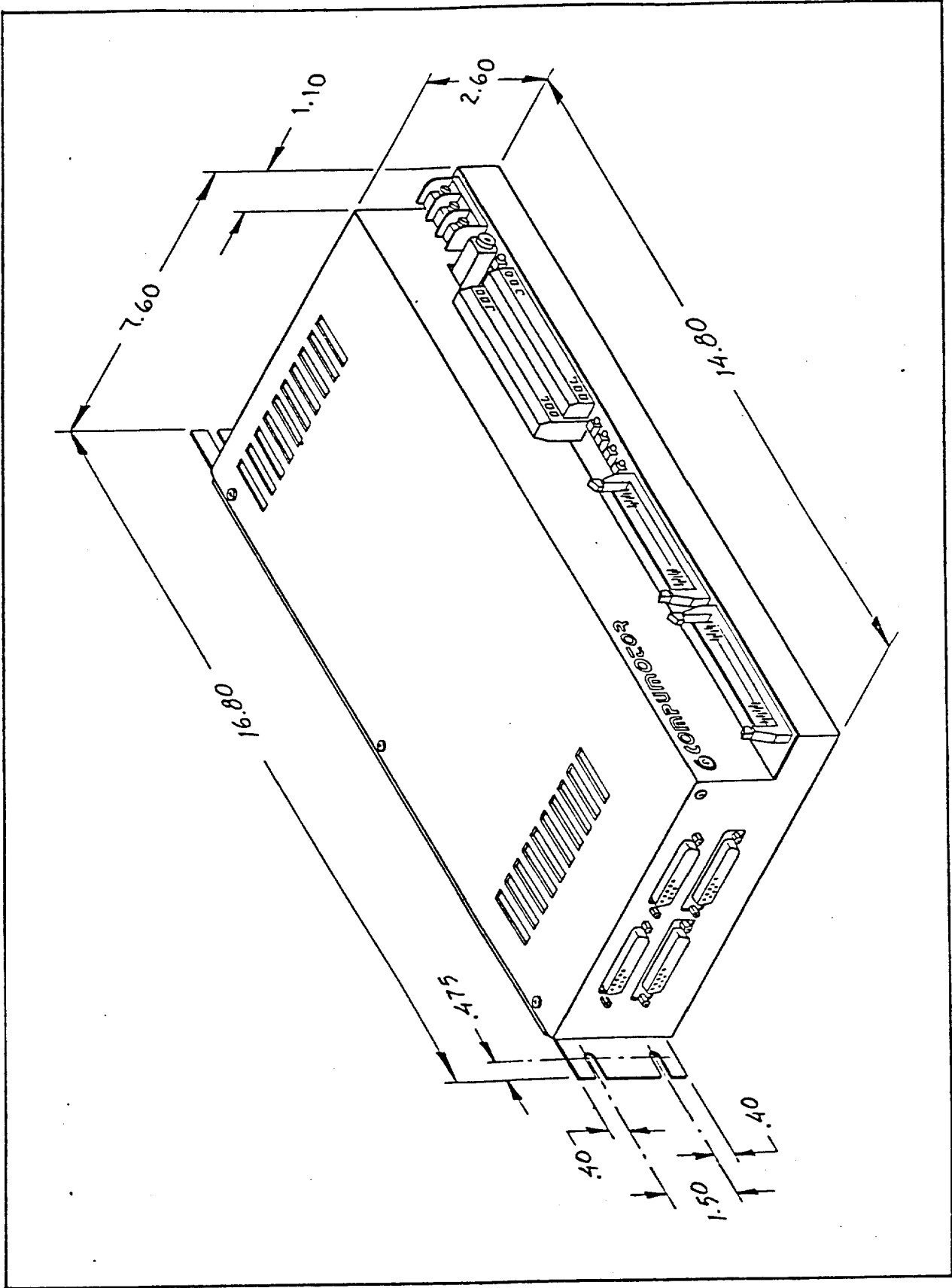


### C-5 DRIVING A SPEAKER WITH THE STEP OUTPUT

The following circuit shows how to connect a speaker to either the STEP+ or STEP- output. Refer to the BASIC 52 OPERATOR'S MANUAL for details on producing tones with the PWM instruction.







APPENDIX D - Model 52 Dimensions

103 PHOTO

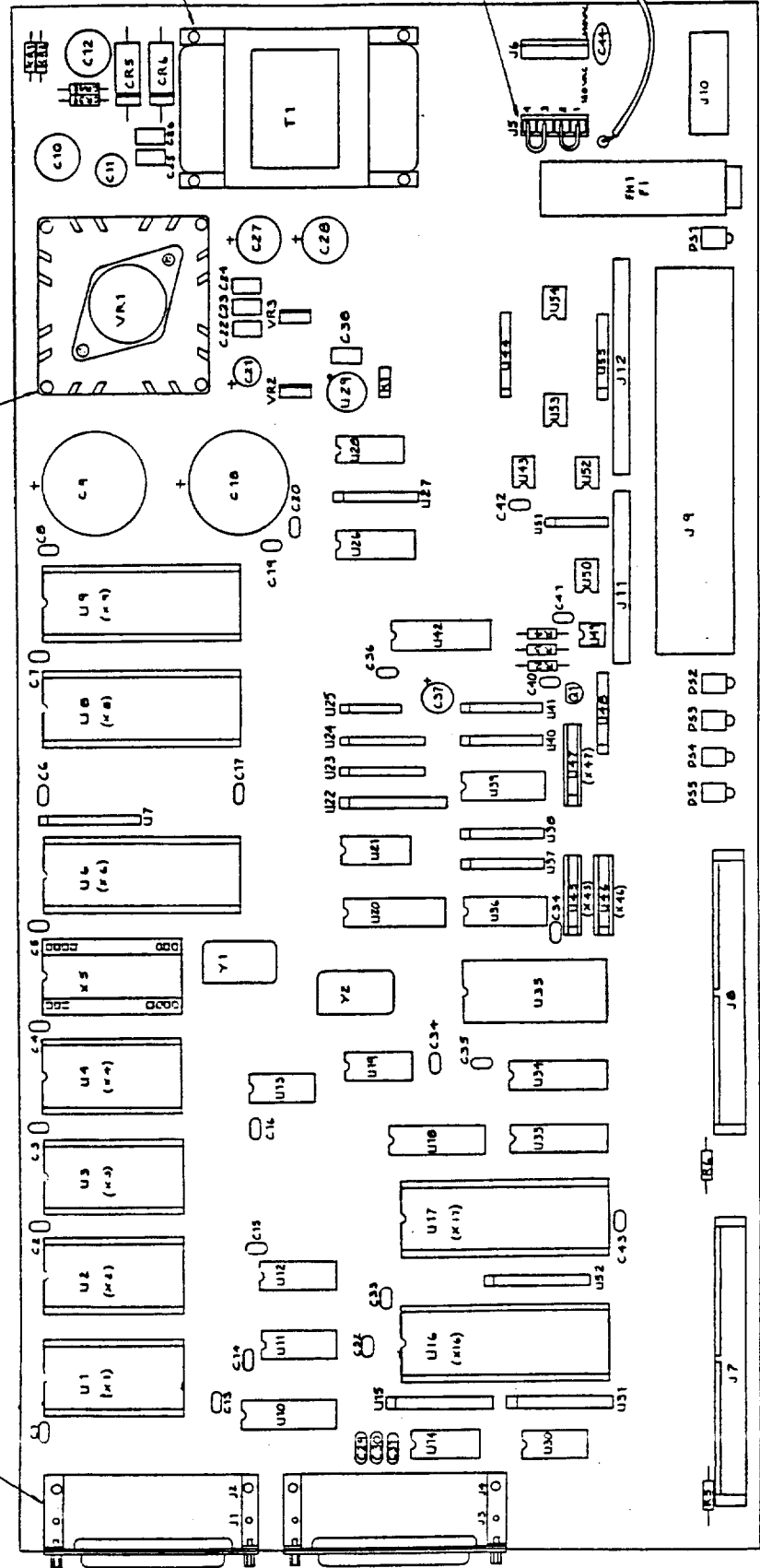
SEE SHEET 2 FOR RIVET DETAIL 'A'

SEE SHEET 2 FOR STACK UP DETAIL 'D'

SEE SHEET 2 FOR BRACKET DETAIL 'C'

SEE SHEET 2 FOR JUMPER DETAIL 'E'

SEE SHEET 2 FOR 'D' DETAIL 'D' (FOR Y REV)



COMPASSION ELECTRONICS	
PC A	MODEL 52
REV. 1	DATE 11/10/71
REV. 2	DATE 11/10/71
REV. 3	DATE 11/10/71
REV. 4	DATE 11/10/71
REV. 5	DATE 11/10/71
REV. 6	DATE 11/10/71
REV. 7	DATE 11/10/71
REV. 8	DATE 11/10/71
REV. 9	DATE 11/10/71
REV. 10	DATE 11/10/71
REV. 11	DATE 11/10/71
REV. 12	DATE 11/10/71
REV. 13	DATE 11/10/71
REV. 14	DATE 11/10/71
REV. 15	DATE 11/10/71
REV. 16	DATE 11/10/71
REV. 17	DATE 11/10/71
REV. 18	DATE 11/10/71
REV. 19	DATE 11/10/71
REV. 20	DATE 11/10/71
REV. 21	DATE 11/10/71
REV. 22	DATE 11/10/71
REV. 23	DATE 11/10/71
REV. 24	DATE 11/10/71
REV. 25	DATE 11/10/71
REV. 26	DATE 11/10/71
REV. 27	DATE 11/10/71
REV. 28	DATE 11/10/71
REV. 29	DATE 11/10/71
REV. 30	DATE 11/10/71
REV. 31	DATE 11/10/71
REV. 32	DATE 11/10/71
REV. 33	DATE 11/10/71
REV. 34	DATE 11/10/71
REV. 35	DATE 11/10/71
REV. 36	DATE 11/10/71
REV. 37	DATE 11/10/71
REV. 38	DATE 11/10/71
REV. 39	DATE 11/10/71
REV. 40	DATE 11/10/71
REV. 41	DATE 11/10/71
REV. 42	DATE 11/10/71
REV. 43	DATE 11/10/71
REV. 44	DATE 11/10/71
REV. 45	DATE 11/10/71
REV. 46	DATE 11/10/71
REV. 47	DATE 11/10/71
REV. 48	DATE 11/10/71
REV. 49	DATE 11/10/71
REV. 50	DATE 11/10/71
REV. 51	DATE 11/10/71
REV. 52	DATE 11/10/71
REV. 53	DATE 11/10/71
REV. 54	DATE 11/10/71
REV. 55	DATE 11/10/71
REV. 56	DATE 11/10/71
REV. 57	DATE 11/10/71
REV. 58	DATE 11/10/71
REV. 59	DATE 11/10/71
REV. 60	DATE 11/10/71
REV. 61	DATE 11/10/71
REV. 62	DATE 11/10/71
REV. 63	DATE 11/10/71
REV. 64	DATE 11/10/71
REV. 65	DATE 11/10/71
REV. 66	DATE 11/10/71
REV. 67	DATE 11/10/71
REV. 68	DATE 11/10/71
REV. 69	DATE 11/10/71
REV. 70	DATE 11/10/71
REV. 71	DATE 11/10/71
REV. 72	DATE 11/10/71
REV. 73	DATE 11/10/71
REV. 74	DATE 11/10/71
REV. 75	DATE 11/10/71
REV. 76	DATE 11/10/71
REV. 77	DATE 11/10/71
REV. 78	DATE 11/10/71
REV. 79	DATE 11/10/71
REV. 80	DATE 11/10/71
REV. 81	DATE 11/10/71
REV. 82	DATE 11/10/71
REV. 83	DATE 11/10/71
REV. 84	DATE 11/10/71
REV. 85	DATE 11/10/71
REV. 86	DATE 11/10/71
REV. 87	DATE 11/10/71
REV. 88	DATE 11/10/71
REV. 89	DATE 11/10/71
REV. 90	DATE 11/10/71
REV. 91	DATE 11/10/71
REV. 92	DATE 11/10/71
REV. 93	DATE 11/10/71
REV. 94	DATE 11/10/71
REV. 95	DATE 11/10/71
REV. 96	DATE 11/10/71
REV. 97	DATE 11/10/71
REV. 98	DATE 11/10/71
REV. 99	DATE 11/10/71
REV. 100	DATE 11/10/71