

Custom Designed Servo Motors for Your Specific Application!

Compumotor offers a broad range of standard options with all of our brushless servo motor families. Our numerous shaft, feedback and connection options will fulfill the needs of most of our customers. However, we realize that from time to time the need arises to have a custom motor designed specially for your application.

Whether you need custom connectors, mounting, or a custom winding, Compumotor can build a motor designed to your exact specifications. Compumotor provides these special designs for our customers with:

- Minimal impact on product lead time
- Modest impact on pricing
- No minimum quantities

Compumotor's modern manufacturing system allows us to offer custom motor solutions without sacrificing product quality and availability. All of our custom motors are built in our standard servo motor work cell, and our computerized custom product tracking system allows us to provide consistent, high-quality custom products. And, because custom motor manufacturing is integrated into our standard manufacturing process, we can often build and ship custom designed motors and cables in the same time frame as standard products.

Compumotor provides this service for one simple reason: to make it easier for you, our customer, to integrate a Compumotor servo motor into your application. We provide more than just a component, we provide a custom designed servo motor solution.

Common Special Requests

Connectorization

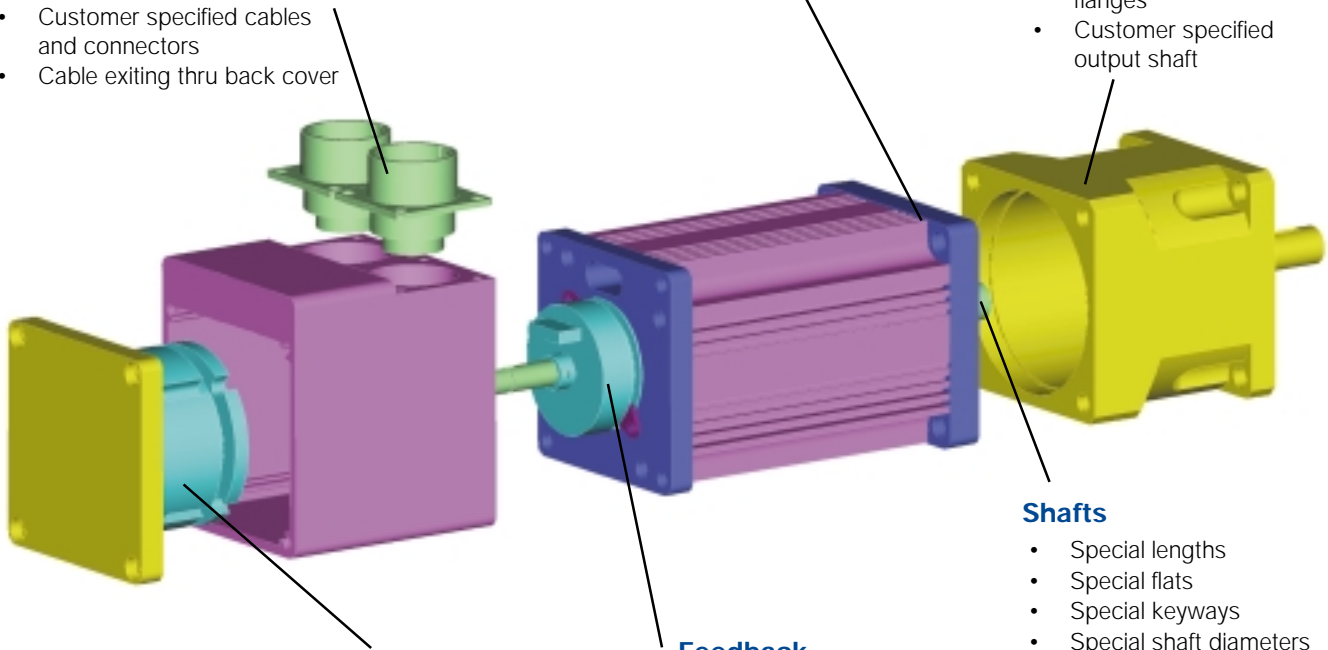
- Right angle connector housing
- MS connectors on back cover
- Special cable lengths
- Hi-flex cables
- Customer specified cables and connectors
- Cable exiting thru back cover

Flanges

- Tapped mounting holes
- Customer specified flanges
- Face mount

Gearheads

- Non-standard ratios
- Customer specified flanges
- Customer specified output shaft



Brakes

- Internal or external

Feedback

- Higher resolution encoders
- Higher temperature encoders

Shafts

- Special lengths
- Special flats
- Special keyways
- Special shaft diameters
- Metric shaft diameters
- Hollow shafts
- Rear Shaft Extension
- Double flats
- Shaft pinning
- Pressed on gears
- Center tapped
- Special shaft materials

Miscellaneous Options

- Private label back cover
- Special windings
- Shorter lengths
- High speed balancing
- Special finish

Servo Motors