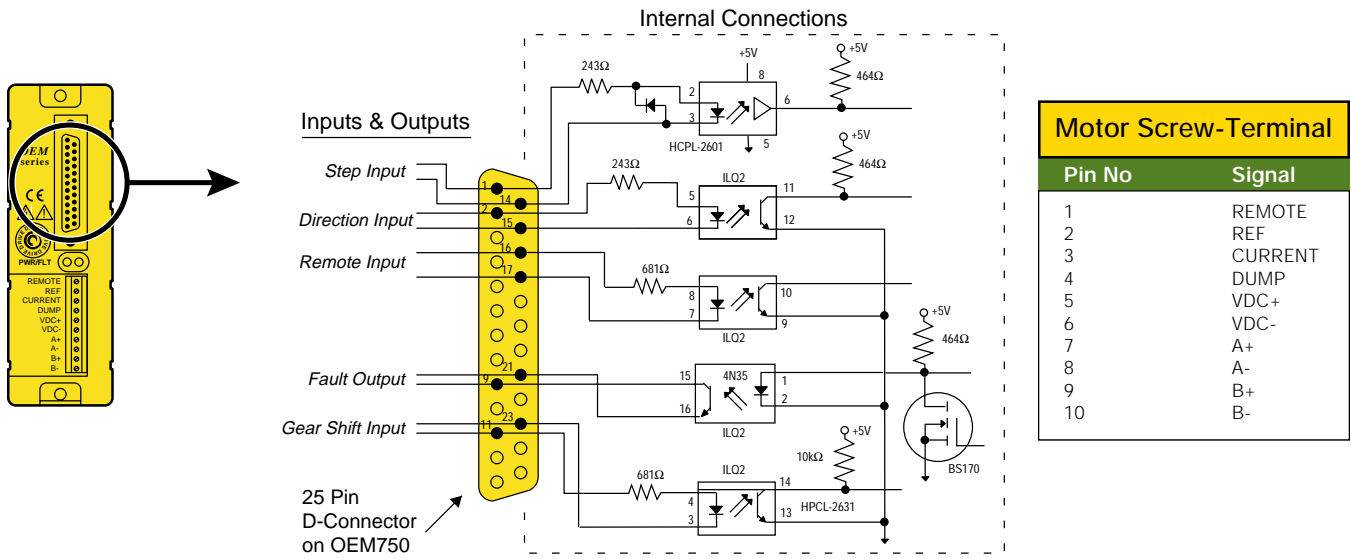
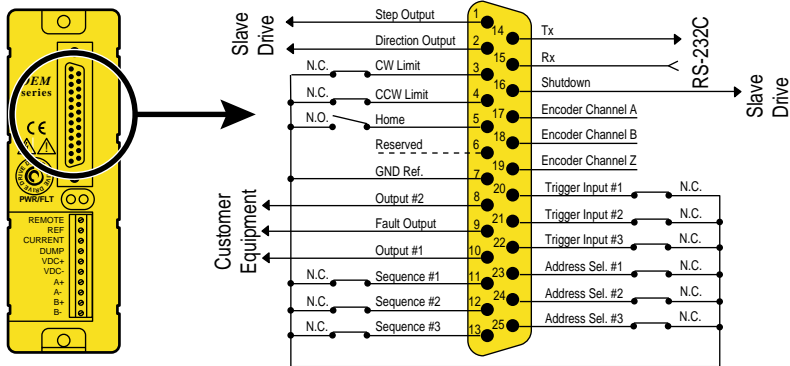


OEM750 Drive Connections



Motor Screw-Terminal	
Pin No	Signal
1	REMOTE
2	REF
3	CURRENT
4	DUMP
5	VDC+
6	VDC-
7	A+
8	A-
9	B+
10	B-

OEM750X Drive/Indexer Connections



Motor Screw-Terminal	
Pin No	Signal
1	REMOTE
2	REF
3	CURRENT
4	DUMP
5	VDC+
6	VDC-
7	A+
8	A-
9	B+
10	B-

Drives & Drive/Controllers

Quality Products Designed and Priced for OEMs and High-Volume Users. Call 1-800-358-9070.