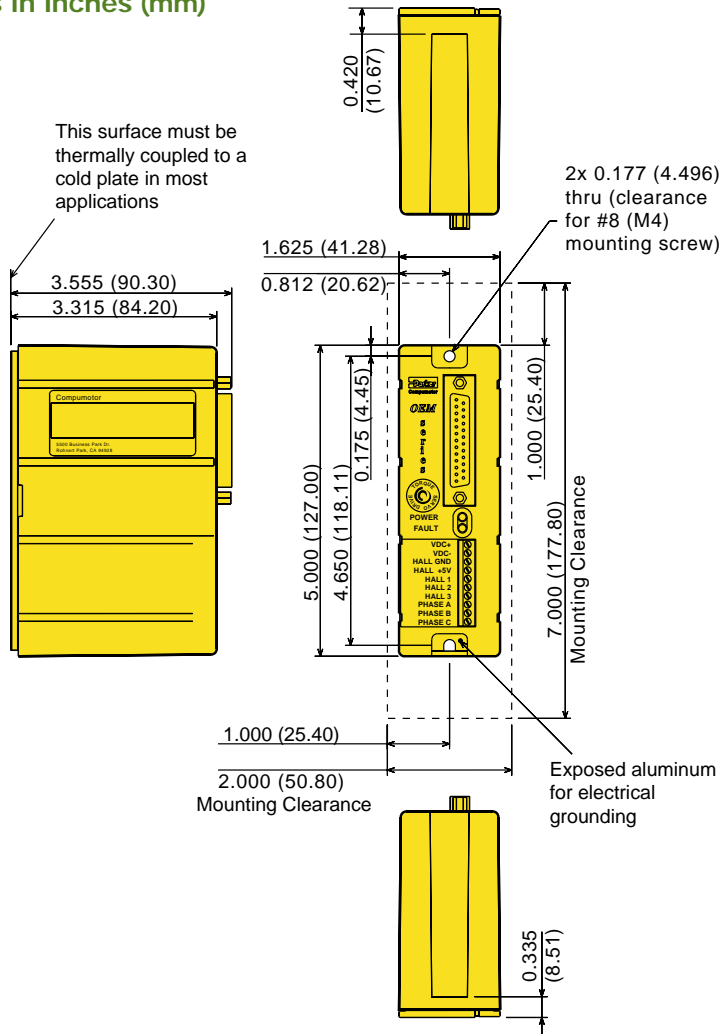


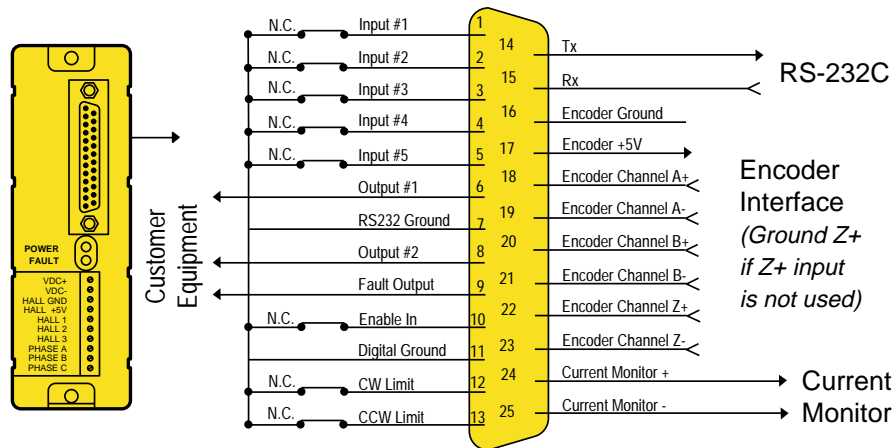
# OEM670 and OEM675 Series Dimensional Drawings

Dimensions in inches (mm)



Motor/Power Screw-Terminal	
Pin No.	Signal
1	VDC+
2	VDC-
3	Hall GND
4	Hall +5V
5	Hall 1
6	Hall 2
7	Hall 3
8	Phase A
9	Phase B
10	Phase C

## OEM670X/OEM675X Drive Connections



Quality Products Designed and Priced for OEMs and High-Volume Users. Call 1-800-358-9070.