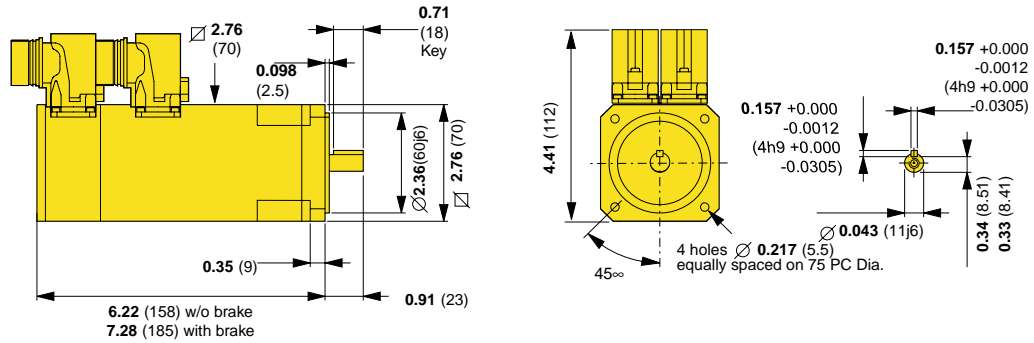


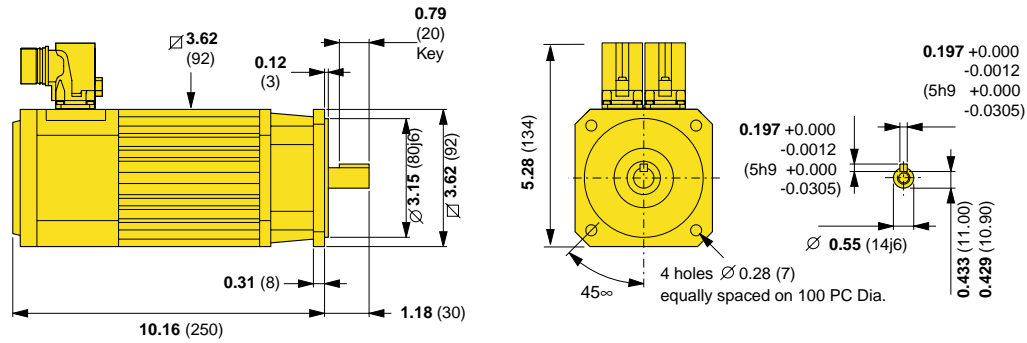
# Motor Dimensional Drawings

Dimensions in inches (mm)

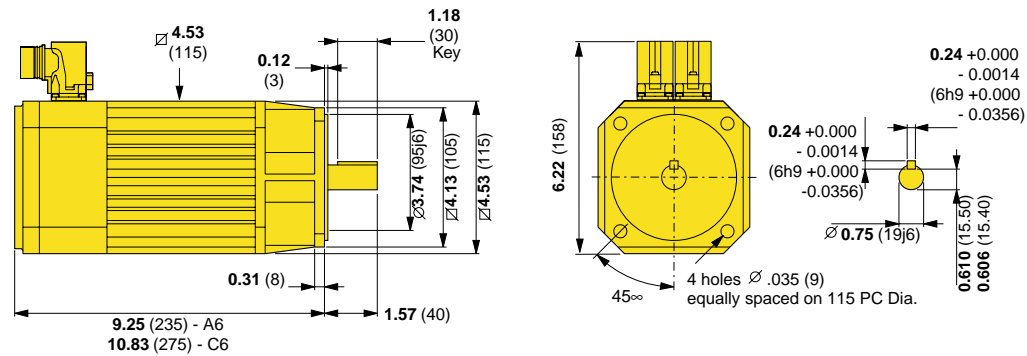
## HDY70



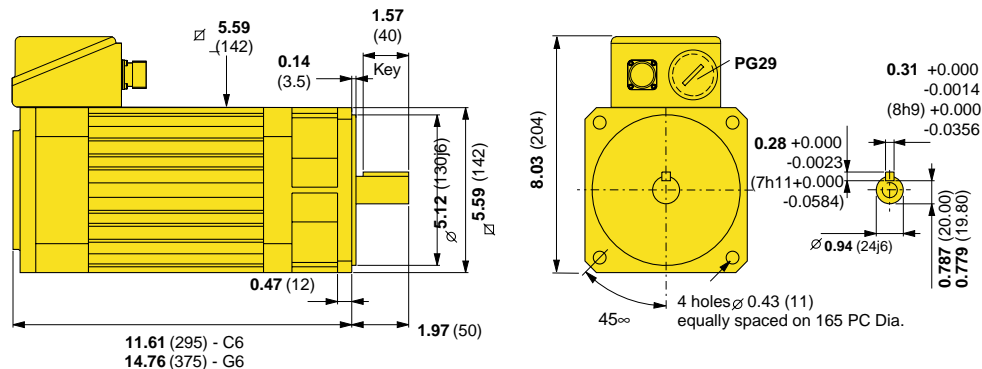
## HDY92



## HDY115



## HDY142

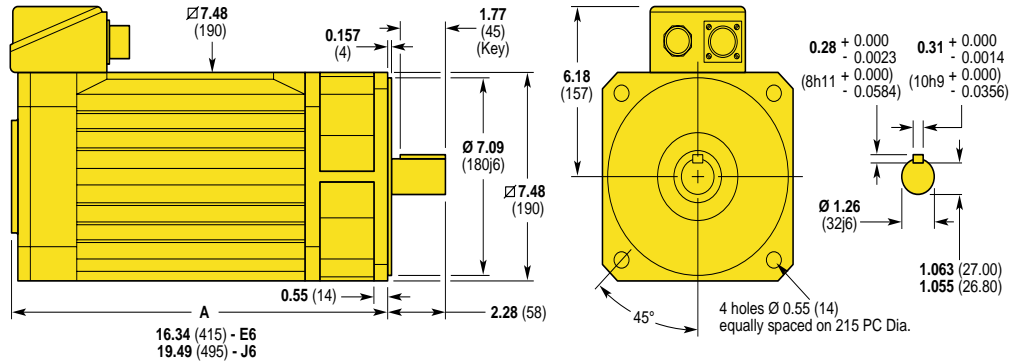


For More Information on CE-Marked Digital Servo Systems, Call 1-800-358-9070 Today.

# Motor Dimensions

Dimensions in inches (mm)

## HBMR190



### Technical Data (motor only)

		HDY70C4 -44S	HDY92E4 -44S	HDY115A6 -88S	HDY115C6 -88S	HDY142C6 -88S	HDY142G6 -88S	HBMR190E6 -88S	HBMR190J6 -260S
Continuous Stall Torque	Nm	1.2	2.2	3.7	6.8	11.3	21.0	36.0	60.0
	lb-in	10.7	19.6	33.0	60.7	100.8	187.4	321.2	535.3
	oz-in	169.9	311.5	524.0	963.0	1600	2974	5098	8497
Continuous Stall Current	A(rms)	2.3	4.3	3.6	6.6	11.0	20.0	35.0	20.0
	Rated Speed	RPM	7000	5500	5500	5500	5500	5500	3500
	RPS	116.7	91.7	91.7	91.7	91.7	91.7	58.3	33.3
Rated Torque	Nm	0.8	1.7	3.0	4.4	7.5	13.0	20.0	46.0
	lb-in	7.1	15.2	26.8	39.3	66.9	116.0	178.4	401.5
	oz-in	113.3	240.7	424.8	623.1	1062	1841	2832	6373
Rated Power	hp	0.79	1.31	2.32	3.40	5.79	10.04	9.83	12.63
	kW	0.59	0.98	1.73	2.53	4.32	7.49	7.33	9.42
Rated Current	A(rms)	1.6	3.3	2.9	4.3	7.4	12.7	19.6	14.9
Peak Stall Torque	Nm	3.6	6.6	11.0	20.4	30.0	60.0	108.0	180.0
	lb-in	32.1	58.9	98.1	182.0	267.7	535.3	963.5	1606
	oz-in	509.8	934.6	1558	2889	4248	8497	15,294	25,490
Peak Stall Current	A(rms)	7.1	12.9	10.8	20.0	29.4	58.8	105.9	59.4
Rotor Inertia	oz-in <sup>2</sup>	3.28	6.45	13.12	25.15	62.88	120.3	448.3	765.4
	oz-in-sec <sup>2</sup>	.008497	.01671	.03399	.06514	.1629	.3115	1.161	1.983
	kbmm <sup>2</sup>	60	118	240	460	1150	2200	8200	14,000
Motor Weight	lbs	5.3	11.5	14.6	19.8	30.9	46.3	70.5	99.2
	kg	2.4	5.2	6.6	9.0	14.0	21.0	32.0	45.0
Recommended Drive		200M	200M	200M	500M	500M	1500M	1500M	1500M
		2500S	2500S	2500S	8500S	8500S			
		4500S	4500S	4500S					

The motor characteristics were determined according to British Standard BS4999, respective of International Standard IEC34. TENV (IC400) = Totally Enclosed Non Ventilated. Over temperature: 100°C. Tolerance: ±10% applies to all data.

