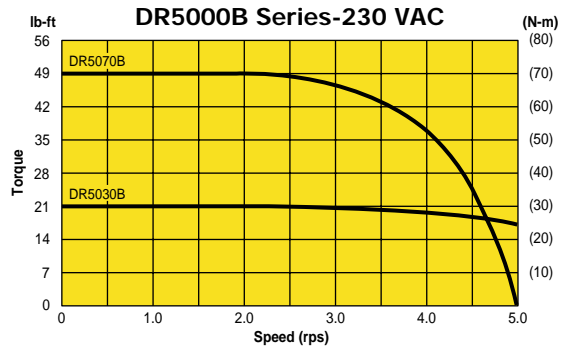
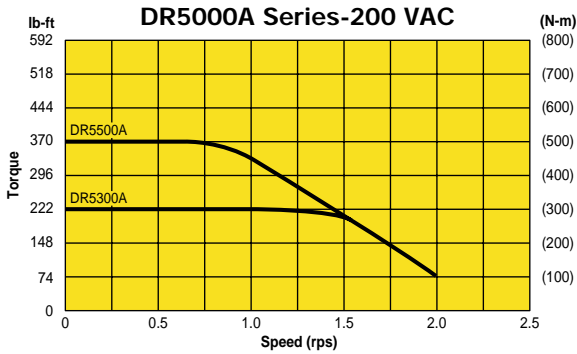


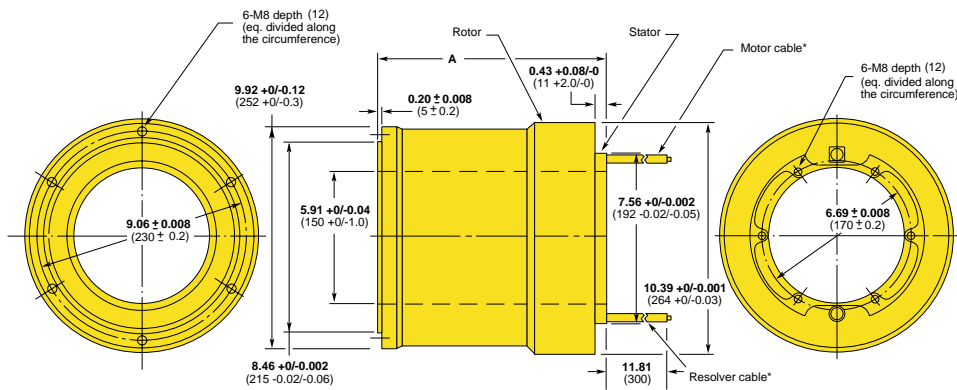
Speed/Torque Curves and Dimensional Drawings

The torque/speed curves represent peak torque available, continuous torques are approximately two-thirds of the peak value.



DR-5000A Series

Dimensions in inches (mm)

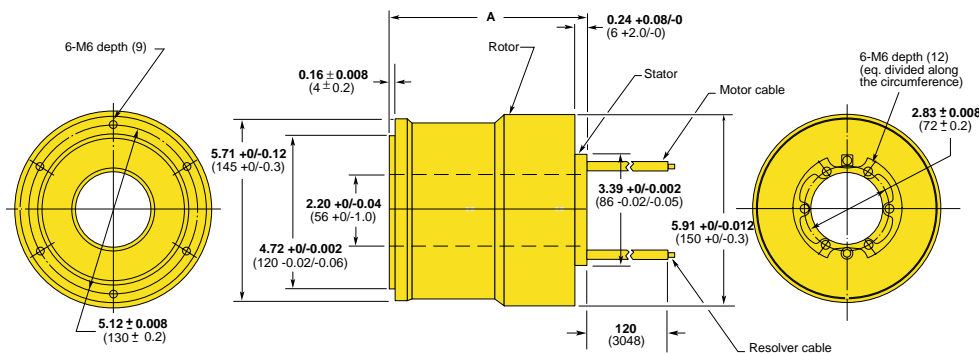


Model	A
DR5300A	12.2 ± 0.04 (309 ± 1)
DR5500A	16.4 ± 0.04 (417 ± 1)

Note: Motor and resolver cables for DR5000-A Series are 11.81 in (300 mm) in length.

DR-5000B Series

Dimensions in inches (mm)



Model	A
DR5030B	7.24 ± 0.04 (184 ± 1)
DR5070B	9.45 ± 0.04 (240 ± 1)

Integrate Direct Drive Servo Systems Into Your Next Application. Call 1-800-358-9070 Today.