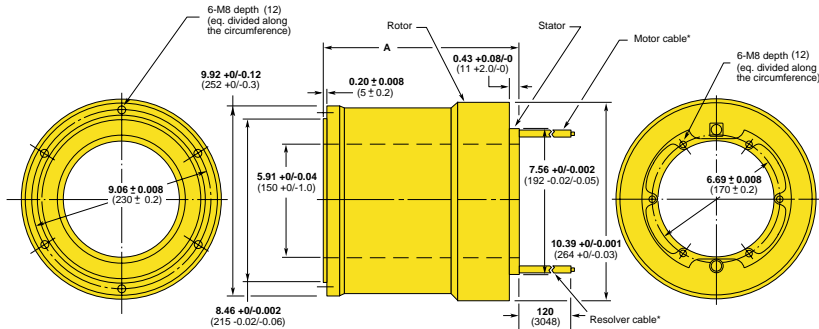


DR Series Dimensional Drawings

DR-A Series

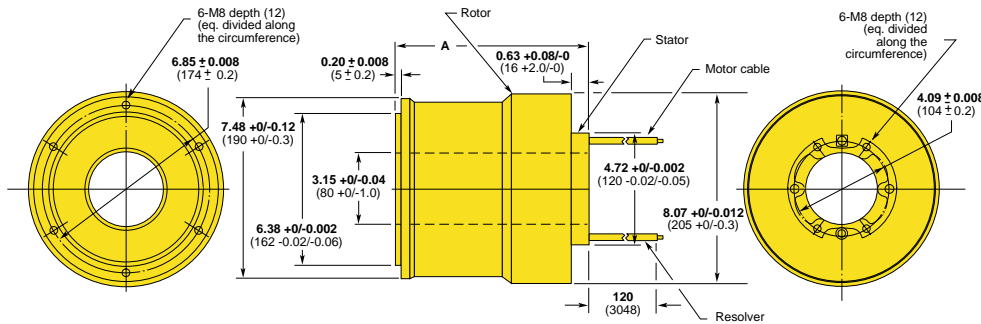
Dimensions in inches (mm)



Model	A
DR1100A	7.28 \pm 0.04 (185 \pm 1)
DR1200A	9.84 \pm 0.04 (250 \pm 1)
DR1300A	11.97 \pm 0.04 (304 \pm 1)
DR1400A	14.09 \pm 0.04 (358 \pm 1)

DR-E Series

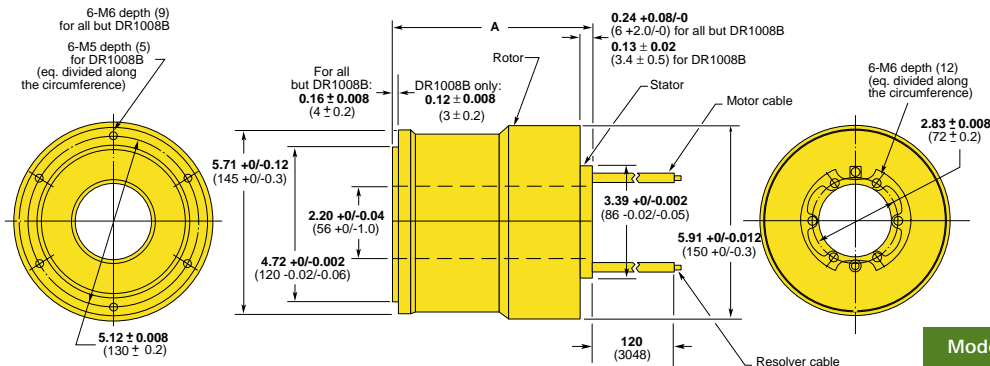
Dimensions in inches (mm)



Model	A
DR1070E	7.20 \pm 0.04 (183 \pm 1)
DR1100E	8.27 \pm 0.04 (210 \pm 1)
DR1130E	9.57 \pm 0.04 (243 \pm 1)
DR1160E	10.67 \pm 0.04 (271 \pm 1)

DR-B Series

Dimensions in inches (mm)



Model	A
DR1008B	3.35 \pm 0.04 (85 \pm 1)
DR1015B	4.84 \pm 0.04 (123 \pm 1)
DR1030B	5.94 \pm 0.04 (151 \pm 1)
DR1045B	7.05 \pm 0.04 (179 \pm 1)
DR1060B	8.15 \pm 0.04 (207 \pm 1)

Integrate Direct Drive Servo Systems Into Your Next Application. Call 1-800-358-9070 Today.