

OEMZL and Stepper Motors



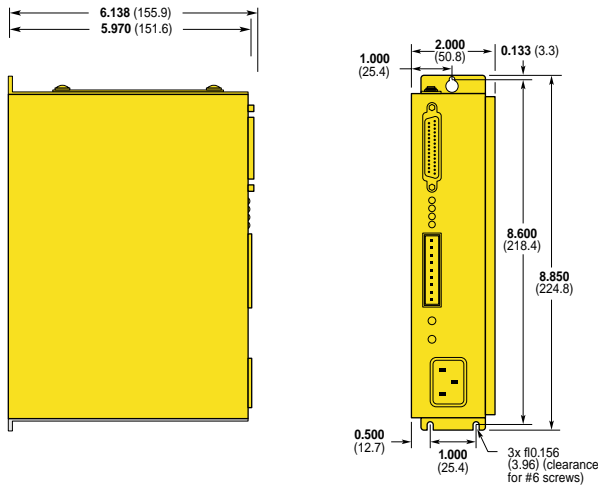
Compumotor offers a full breadth of stepper motors carefully selected to mate with our OEMZL drives. Every motor we offer meets a series of performance and quality standards.

A full description of the motors we offer is provided on our Web site (www.compumotor.com). From this site, reference the *OEMZL Product Brochure* for motor specifications and performance curves.

Ordering Information

	Part No.	Description
Drive	OEMZL4	Packaged 4Apk, 170VDC bus microstepping drive
Drive/Controller	OEMZL6104	Packaged 4 Apk, 170VDC bus microstepping drive/controller
Accessories	VM24S	24V input/output module (for use with OEMZL6104)
	VM50	50-pin header-to-screw terminal breakout board (for use with OEMZL6104)
Software	DDE6000	DDE server for 6000 Series
	Motion Toolbox™	Library of LabVIEW™ VIs for motion control
	Motion Builder™	Graphical icon-based software
Motors	See Web site for full description of available motors	

OEMZL4 Dimensions
Dimensions in inches (mm)



OEMZL6104 Dimensions
Dimensions in inches (mm)

