

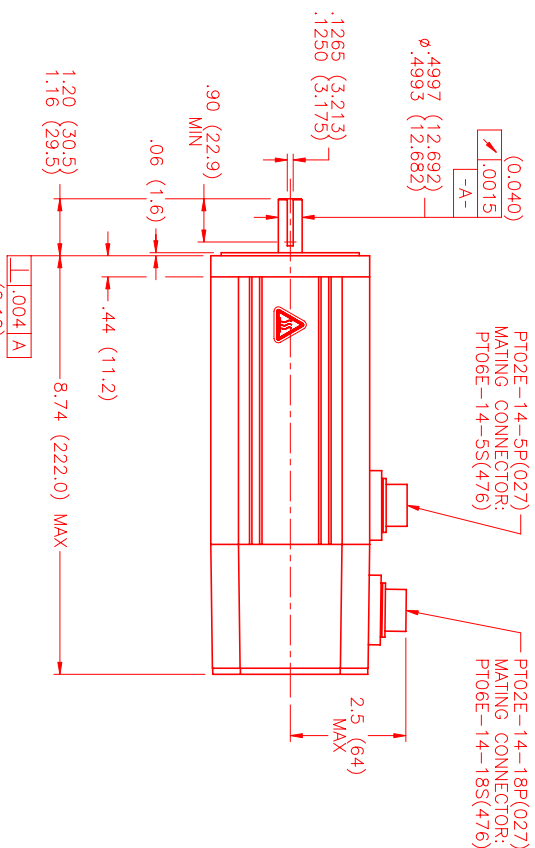
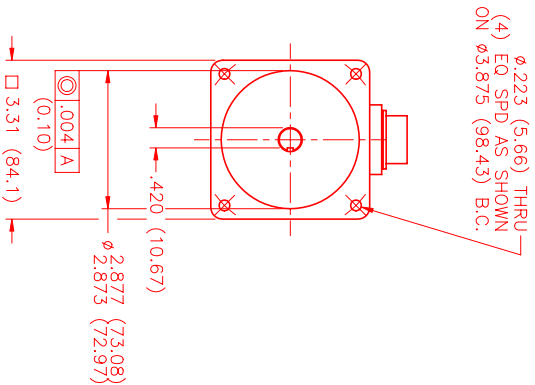
### MOTOR DATA @ 460 VAC (TRAP)

MOTOR PARAMETERS	UNITS	VALUE
HORSEPOWER	HP	1.05
KILOWATTS	KW RATED	.78
MAX. OPERATING SPEED	N. MAX RPM	3000
SPEED @ RATED TORQUE	N RATED RPM	2400
* CONTINUOUS RATED TORQUE @ 2400 RPM	IN-LBS[Nm]	27.5[3.1]
* CONTINUOUS STALL TORQUE	IN-LBS[Nm]	30.0[3.4]
CONTINUOUS LINE CURRENT	AMPS	1.9
PEAK TORQUE	IN-LBS[Nm]	105.0[11.9]
PEAK CURRENT	AMPS	6.4
MAX. THEORETICAL ACCEL.	RAD/SEC <sup>2</sup>	105,954
TORQUE SENSITIVITY	Kt [IN-LBS/AMP/Nm/AMP]	16.9[1.90]
BACK EMF (LINE TO LINE)	Vrms/Krpm	150.0
D.C. RESISTANCE (P-P)	OHMS	25.1
INDUCTANCE (P-P)	MILLIHENRIES	77.1
ROTOR INERTIA	Jm [IN-LBS-SEC <sup>2</sup> ] Kg-M <sup>2</sup>	.000991[.000116]
STATIC FRICTION	Tf [IN-LBS] [Nm]	.5[.06]

\*25°C AMBIENT WITH A MAXIMUM CASE TEMPERATURE OF 100°C ON MOTOR. MOTOR MOUNTED ON A 10" X 10" X 1 1/4" ALUMINUM HEATSINK. THERMOSTAT IN STATOR WINDINGS WILL OPEN IF WINDING TEMPERATURE EXCEEDS 155°C. THIS ALLOWS FOR AN APPROXIMATE +10% HEADROOM IN THE CONTINUOUS TORQUE RATING BEFORE THERMOSTAT OPENS.

#### MECHANICAL NOTES:

1. AXIAL LOAD: 25 LBS MAX
2. RADIAL LOAD: 40 LBS MAX @ 1" FROM FACE
3. MOTOR SEALED TO IP65.
4. MOTOR WEIGHT: 10 LBS. [ 4.5 kg]
5. MOTOR FINISH: BLACK EPOXY
6. MOTOR OUTPUT SHAFT: STAINLESS STEEL
7. INCHES (MILLIMETERS)



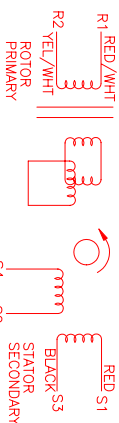
#### CONNECTION CHART

MOTOR CONNECTOR:  
PT02E-14-5P(027)  
(270-00026)

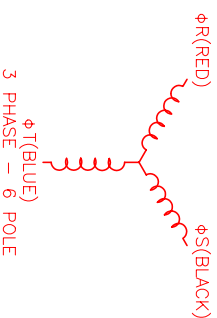
PIN	WIRE FUNCTION	WIRE COLOR
A	ΦR	RED
B	ΦS	BLACK
C	ΦT	BLUE
D	PE_GND	GRN/YEL
E	-	-

RESOLVER/THERM CONNECTOR:  
PT02E-14-18P(027)  
(270-00024)

PIN	WIRE FUNCTION	WIRE COLOR
A	SIN	BLACK
B	THERM	BLACK
C	SIN	YELLOW
D	COS_GND	BLACK
E	COS	RED
F	SIN_GND	BLUE
G	REF_GND	YEL/WHI
H	REF	RED/WHI
I	RES_SHLD	GRN/YEL
J	GND	GRN/YEL
K	-	-
L	-	-
M	-	-
T	-	-



SCHEMATIC DRAWING FOR BRUSHLESS RESOLVER



3 PHASE - 6 POLE

NO.	PART NUMBER	DESCRIPTION	QTY.
1	MPM892DTJ6G1N	Brushless Resolver	1

DATE: 1/14/99	REV: LIN
APPROVED:	

DATE: 1/14/99	REV: LIN
APPROVED:	

MTS Systems Corporation  
Automation Division

REV.	DESCRIPTION	DATE	APPD.
PRELIMINARY		1/14/99	LIN