

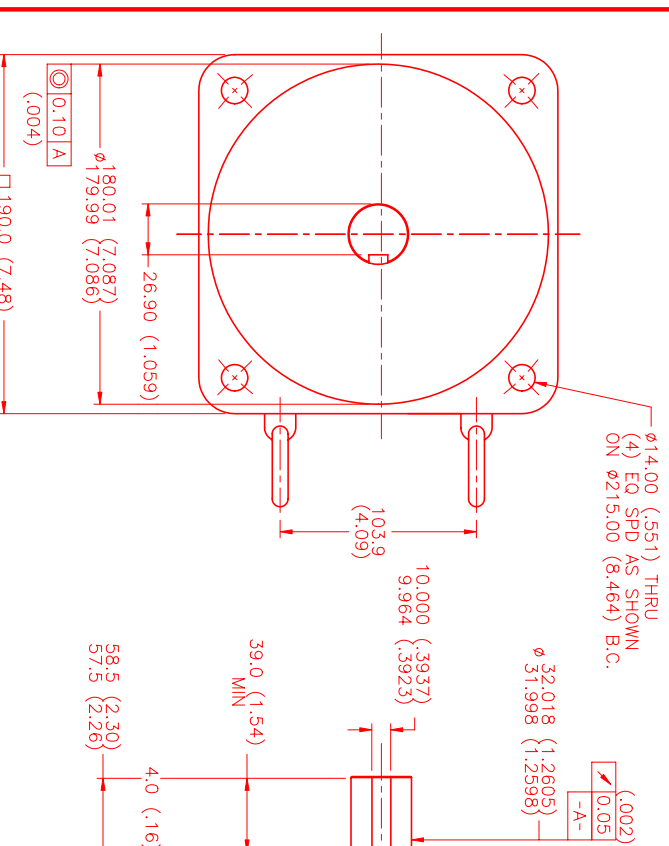
MOTOR DATA @ 460 VAC (TRAP)

MOTOR PARAMETERS	UNITS	VALUE
HORSEPOWER	HP	20.9
KILOWATTS	KW	15.6
MAX. OPERATING SPEED	N MAX RPM	3000
SPEED @ RATED TORQUE	N RATED RPM	2400
* CONTINUOUS RATED TORQUE @ 2400 RPM	IN-LBS[Nm]	550.0[61.8]
* CONTINUOUS STALL TORQUE	IN-LBS[Nm]	640.0[71.9]
CONTINUOUS LINE CURRENT	AMPS	36.0
PEAK TORQUE	IN-LBS[Nm]	1920.0[215.0]
PEAK CURRENT	AMPS	108.0
MAX. THEORETICAL ACCEL.	RAD/SEC ²	26,891
TORQUE SENSITIVITY	Kt[IN-LBS/AMP][Nm/AMP]	17.6[2.0]
BACK EMF (LINE TO LINE)	Vrms/Krpm	158.0
D.C. RESISTANCE (P-P)	OHMS	0.44
INDUCTANCE (P-P)	MILLIHENRIES	6.8
ROTOR INERTIA	Jm[IN-LBS-SEC ²][Kg-M ²]	.0714[.00807]
STATIC FRICTION	Tf[IN-LBS][Nm]	9.8[1.1]

*25°C AMBIENT WITH A MAXIMUM CASE TEMPERATURE OF 100°C ON MOTOR. MOTOR MOUNTED ON A 14" X 14" X 3/4" ALUMINUM HEATSINK. THERMOSTAT IN STATOR WINDINGS WILL OPEN IF WINDING TEMPERATURE EXCEEDS 155°C. THIS ALLOWS FOR AN APPROXIMATE +10% HEADROOM IN THE CONTINUOUS TORQUE RATING BEFORE THERMOSTAT OPENS.

MECHANICAL NOTES:

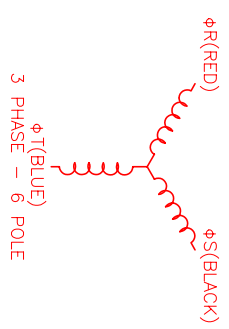
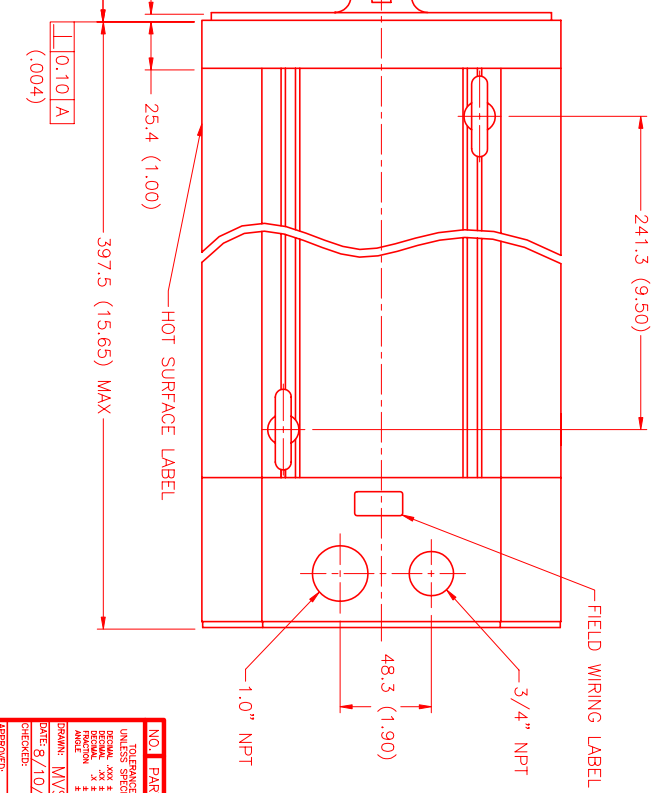
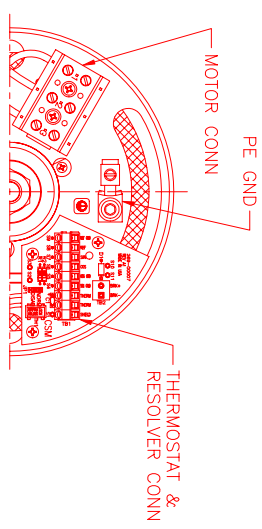
- AXIAL LOAD: 100 LBS MAX
- RADIAL LOAD: 250 LBS MAX @ 1" FROM FACE
- MOTOR SEALED TO IP65.
- MOTOR WEIGHT: 99 LBS. [44.9 kg]
- MOTOR FINISH: BLACK EPOXY
- MILLIMETERS (INCHES)



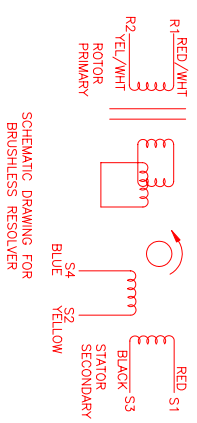
CONNECTION CHART

MOTOR WIRE LEADS	WIRE FUNCTION	WIRE COLOR
1	ΦS	BLACK
2	ΦT	BLUE
3	PE GND	-

RES/THERM WIRE LEADS	WIRE FUNCTION	WIRE COLOR
S9	REF GND	YEL/WHIT
S8	REF	RED/WHIT
S7	SIN	YELLOW
S6	COS	RED
S5	COS GND	BLACK
S4	SIN GND	BLUE
S3	THERM	BLACK
S2	THERM	BLACK
S1	RES SHLD	GRN/YEL



3 PHASE - 6 POLE



SCHEMATIC DRAWING FOR BRUSHLESS RESOLVER

REV.	DESCRIPTION	DATE	APP'D.
PRELIMINARY		8/10/99	MVS

NO.	PART NUMBER	DESCRIPTION	QTY.
1	MPM1902CTU7G3N	TRAP	1

UNLESS SPECIFIED OTHERWISE, ALL DIMENSIONS ARE IN INCHES. DIMENSIONS IN PARENTHESES ARE IN MILLIMETERS. DIMENSIONS IN PARENTHESES ARE NOT TO BE USED IN CONSTRUCTION OF THIS DRAWING. DIMENSIONS IN PARENTHESES ARE NOT TO BE USED IN CONSTRUCTION OF THIS DRAWING.

DATE: 8/10/99
 CHECKED: MVS
 TITLE: "C" / TRAP / 460 / MET / RES / NPT
 DRAWING NUMBER: MPM1902CTU7G3N
 SCALE: 1/2=1