

# MOTOR DATA @ 230 VAC (TRAP)

MOTOR PARAMETERS	UNITS	VALUE
HORSEPOWER	HP RATED	10.5
KILOWATTS	KW RATED	7.8
MAX. OPERATING SPEED	N MAX	1500
SPEED @ RATED TORQUE	RPM	1200
* CONTINUOUS RATED TORQUE @ 1200 RPM	IN-LBS[Nm]	550.0[61.8]
* CONTINUOUS STALL TORQUE	IN-LBS[Nm]	640.0[71.9]
CONTINUOUS LINE CURRENT	AMPS	36.0
PEAK TORQUE	IN-LBS[Nm]	1920.0[215.0]
PEAK CURRENT	AMPS	107.0
MAX. THEORETICAL ACCEL.	RAD/SEC <sup>2</sup>	22.278
TORQUE SENSITIVITY	Kt IN-LBS/Amp[Nm/Amp]	17.6[2.0]
BACK EMF (LINE TO LINE)	Vrms/Krpm	158.0
D.C. RESISTANCE (P-P)	OHMS	.44
INDUCTANCE (P-P)	MILLIHENRIES	6.8
ROTOR INERTIA W/ BRAKE	Jm IN-LBS-SEC <sup>2</sup> [Kg-M <sup>2</sup> ]	.0799[.00900]
STATIC FRICTION	Tf IN-LBS[Nm]	9.8[1.1]

## CONNECTION CHART

MOTOR WIRE LEADS	WIRE FUNCTION	WIRE COLOR
1	ΦR	RED
2	ΦS	BLACK
3	ΦT	BLUE
-	PE_GND	GRN/YEL

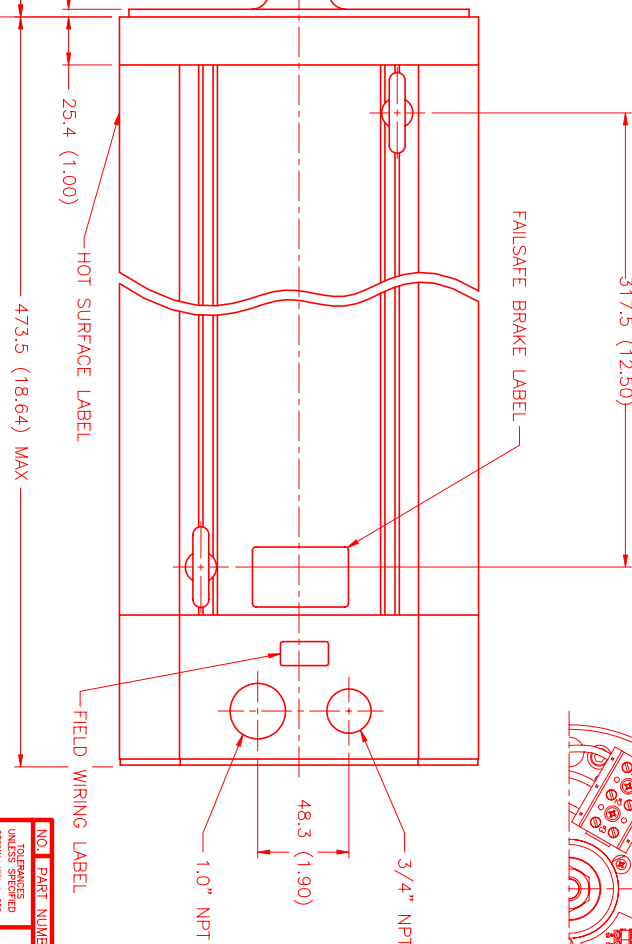
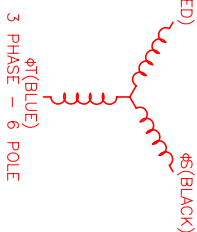
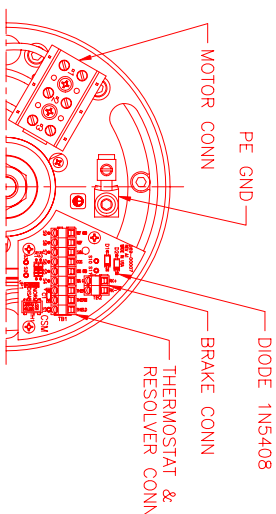
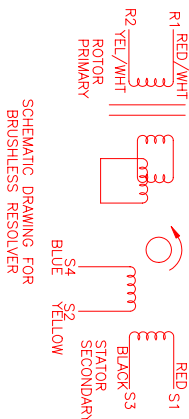
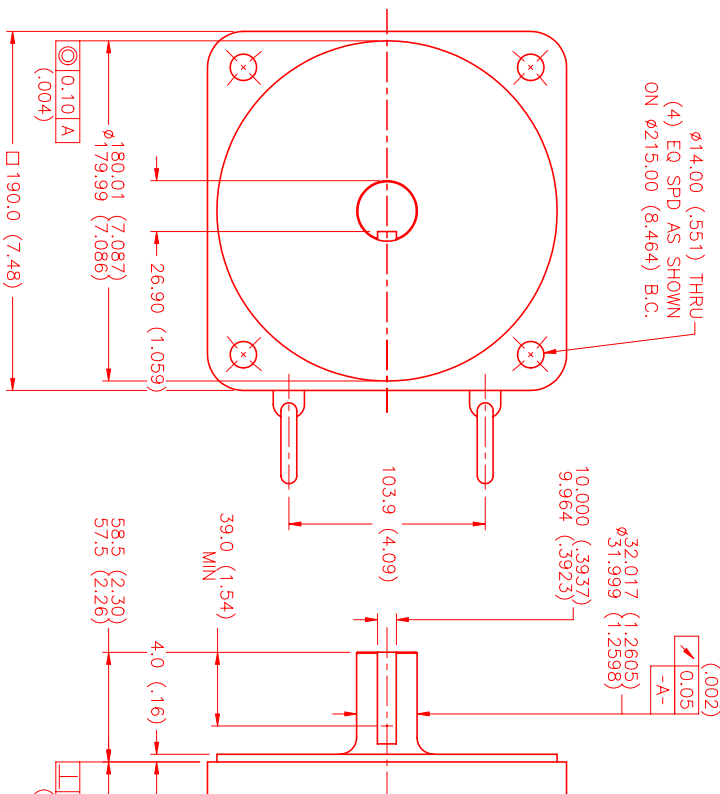
RES/THERM/BRK WIRE LEADS	WIRE FUNCTION	WIRE COLOR
S11	BRK (+)	DIODE
S10	BRK (-)	1N5408
S9	REF_GND	YEL/WHI
S8	REF	RED/WHI
S7	SIN	YELLOW
S6	COS	RED
S5	COS_GND	BLACK
S4	SIN_GND	BLUE
S3	THERM	BLACK
S2	THERM	BLACK
S1	GND/SHLD	GRN/YEL

REV#		DESCRIPTION	DATE	APP'D.
1	PRELIMINARY		3/16/99	MVS
2	UPDATE		8/27/02	LIN

DATE: 3/16/99  
 DRAWING NUMBER: MPM1902BTG7C3R

- \*25°C AMBIENT WITH A MAXIMUM CASE TEMPERATURE OF 100°C ON MOTOR. MOTOR MOUNTED ON A 14" X 14" X 3/4" ALUMINUM HEATSINK. THERMOSTAT IN STATOR WINDINGS WILL OPEN IF WINDING TEMPERATURE EXCEEDS 155°C. THIS ALLOWS FOR AN APPROXIMATE +10% HEADROOM IN THE CONTINUOUS TORQUE RATING BEFORE THERMOSTAT OPENS.
- MECHANICAL NOTES:**
- AXIAL LOAD: 100 LBS MAX
  - RADIAL LOAD: 250 LBS MAX @ 1" FROM FACE
  - MOTOR SEALED TO IP65.
  - MOTOR WEIGHT: 117 LBS. [ 53.1 kg ]
  - MOTOR FINISH: BLACK EPOXY
  - MILLIMETERS (INCHES)

**FAILSAFE BRAKE:**  
 MIN. HOLDING TORQUE: 90 FT-LBS.  
 INPUT VOLTAGE: 24 VOLTS



HOT SURFACE LABEL

FIELD WIRING LABEL

NO.	PART NUMBER	DESCRIPTION	QTY.
1	MPM1902BTG7C3R	3-Phase 10.5HP 230VAC 1200RPM 100LBS TORQUE	1

REV#	DESCRIPTION	DATE	APP'D.
1	PRELIMINARY	3/16/99	MVS
2	UPDATE	8/27/02	LIN

DATE: 3/16/99

DRAWING NUMBER: MPM1902BTG7C3R

SCALE: 1/2=1

APPROVED: [Signature]