

MOTOR DATA @ 460 VAC (TRAP)

MOTOR PARAMETERS	UNITS	VALUE
HORSEPOWER	HP	7.5
KILOWATTS	KW RATED	5.7
MAX. OPERATING SPEED	N. MAX RPM	3400
SPEED @ RATED TORQUE	N RATED RPM	2800
* CONTINUOUS RATED TORQUE @ 2800 RPM	IN-LBS[Nm]	170.0 [19.2]
* CONTINUOUS STALL TORQUE	IN-LBS[Nm]	210.0 [23.7]
CONTINUOUS LINE CURRENT	AMPS	15.8
PEAK TORQUE	IN-LBS[Nm]	630.0 [70.8]
PEAK CURRENT	AMPS	47.4
MAX. THEORETICAL ACCEL.	RAD/SEC ²	29,858
TORQUE SENSITIVITY	Kt IN-LBS/AMP[Nm/AMP]	13.3 [1.5]
BACK EMF (LINE TO LINE)	Vrms/Krpm	115.0
D.C. RESISTANCE (P-P)	OHMS	0.68
INDUCTANCE (P-P)	MILLIHENRIES	5.6
ROTOR INERTIA W/BRAKE	Jm [IN-LBS-SEC ²][Kg-M ²]	.0211 [0.0238]
STATIC FRICTION	Tf [IN-LBS][Nm]	3.0 [0.34]

*25°C AMBIENT WITH A MAXIMUM CASE TEMPERATURE OF 100°C ON MOTOR. MOTOR MOUNTED ON A 12" X 12" X 1/2" ALUMINUM HEATSINK. THERMOSTAT IN STATOR WINDINGS WILL OPEN IF WINDING TEMPERATURE EXCEEDS 155°C. THIS ALLOWS FOR AN APPROXIMATE +10% HEADROOM IN THE CONTINUOUS TORQUE RATING BEFORE THERMOSTAT OPENS.

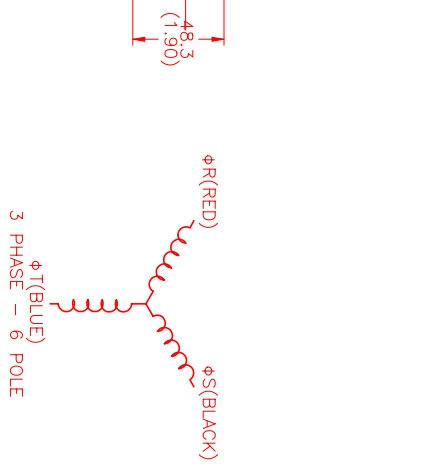
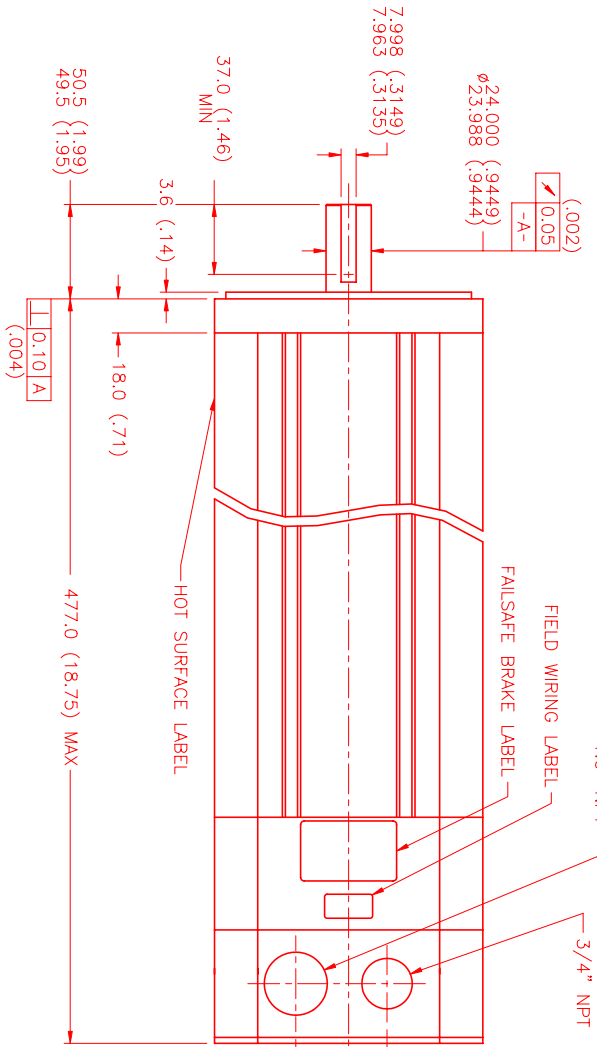
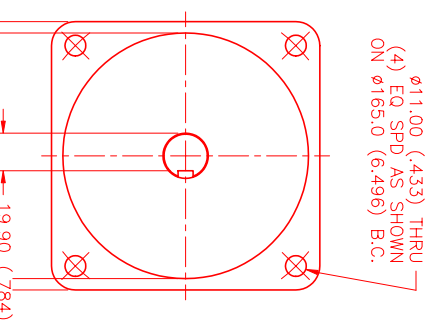
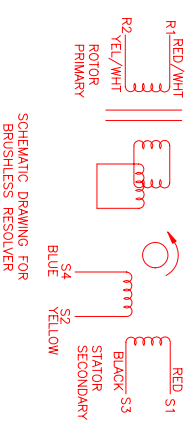
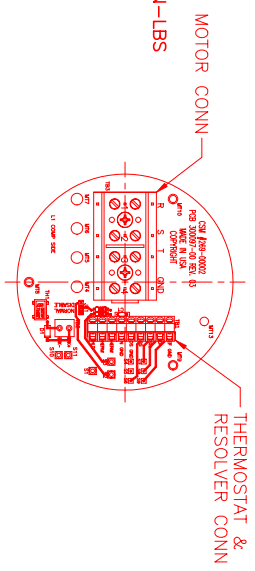
- MECHANICAL NOTES:**
- AXIAL LOAD: 50 LBS MAX
 - RADIAL LOAD: 150 LBS MAX @ 1" FROM FACE
 - MOTOR SEALED TO IP65.
 - MOTOR WEIGHT: 63 LBS. [28.6 Kg]
 - MOTOR FINISH: BLACK EPOXY
 - MOTOR OUTPUT SHAFT: STAINLESS STEEL
 - MILLIMETERS (INCHES)

FAILSAFE BRAKE:
MIN HOLDING TORQUE: 360 IN-LBS
INPUT VOLTAGE: 24 VOLTS

CONNECTION CHART

TERMINAL	WIRE FUNCTION	WIRE COLOR
1	Φ R	RED
2	Φ S	BLACK
3	Φ T	BLUE
4	PE GND	GRN/YEL

RES/THERM/BRAKE	WIRE FUNCTION	WIRE COLOR
S11	BRAKE (+)	DIODE
S10	BRAKE (-)	IN4007
S9	REF GND	YEL/WHITE
S8	REF	RED/WHITE
S7	SIN	YELLOW
S6	COS	RED
S5	COS GND	BLACK
S4	SIN GND	BLUE
S3	THERM	BLACK
S2	THERM	BLACK
S1	GND/SHIELD	GREEN



NO.	PART NUMBER	DESCRIPTION	QTY.
1	MPM1422CTUG3R	Brushless Resolver	1

REV.	DESCRIPTION	DATE	APP.
1	PRELIMINARY	10/7/99	ELS

NO. 1 PART NUMBER DESCRIPTION QTY.
UNLESS SPECIFIED
 DRAWING: MPM1422CTUG3R
 DATE: 8/4/99
 TITLE: "C" /TRAP /460 /MET /RES /NPT /BRK
 MATERIAL: ALUMINUM
 APPROVED: [Signature]