

MOTOR DATA @ 230 VAC (TRAP)

MOTOR PARAMETERS	UNITS	VALUE
HORSEPOWER	HP RATED	4.6
KILOWATTS	KW RATED	3.4
MAX. OPERATING SPEED	N MAX	4200
SPEED @ RATED TORQUE	RPM	3000
* CONTINUOUS RATED TORQUE @ 3000 RPM	IN-LBS [Nm]	96.8 [10.9]
* CONTINUOUS STALL TORQUE	IN-LBS [Nm]	116.2 [13.1]
CONTINUOUS LINE CURRENT	AMPS	18.7
PEAK CURRENT	AMPS	406.7 [45.7]
MAX. THEORETICAL ACCEL.	RAD/SEC ²	65.6
TORQUE SENSITIVITY	Kt [IN-LBS/AMP] [Nm/AMP]	41.081
BACK EMF (LINE TO LINE)	Vrms/Krpm	6.2 [0.71]
D.C. RESISTANCE (P-P)	OHMS	55.0
INDUCTANCE (P-P)	MILLIHENRIES	.27
ROTOR INERTIA W/BRAKE	Jm [IN-LBS-SEC ²] [Kg-M ²]	2.0
STATIC FRICTION	Tf [IN-LBS] [Nm]	1.8 [0.2]

*25°C AMBIENT WITH A MAXIMUM CASE TEMPERATURE OF 100°C ON MOTOR. MOTOR MOUNTED ON A 12" X 12" X 1/2" ALUMINUM HEATSINK. THERMOSTAT IN STATOR WINDINGS WILL OPEN IF WINDING TEMPERATURE EXCEEDS 155°C. THIS ALLOWS FOR AN APPROXIMATE +10% HEADROOM IN THE CONTINUOUS TORQUE RATING BEFORE THERMOSTAT OPENS.

- MECHANICAL NOTES:**
- AXIAL LOAD: 50 LBS MAX
 - RADIAL LOAD: 100 LBS MAX @ 1" FROM FACE
 - MOTOR SEALED TO IP65.
 - MOTOR WEIGHT: 41.1 LBS. [18.6 kg]
 - MOTOR FINISH: BLACK EPOXY
 - MOTOR OUTPUT SHAFT: STAINLESS STEEL
 - INCHES (MILLIMETERS)

ENCODER: (290-00052)
 OIH48-2000P6-L6-5V
FAILSAFE BRAKE:
 MIN HOLDING TORQUE: 240 IN-LBS
 INPUT VOLTAGE: 24 VOLTS

CONNECTION CHART

MOTOR/BRAKE CONNECTOR:
 PT02E-16-8P(027)
 (270-00032)

MOTOR/BRAKE WIRE LEADS	WIRE FUNCTION	WIRE COLOR
A	4R	RED
B	4S	BLACK
C	4T	BLUE
D	PE GND	GRN/YEL
E	BRK SHLD	—
F	BRK (+)	DIODE
G	BRK (-)	IN4007
H	—	—

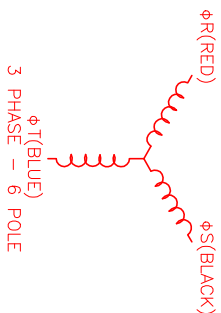
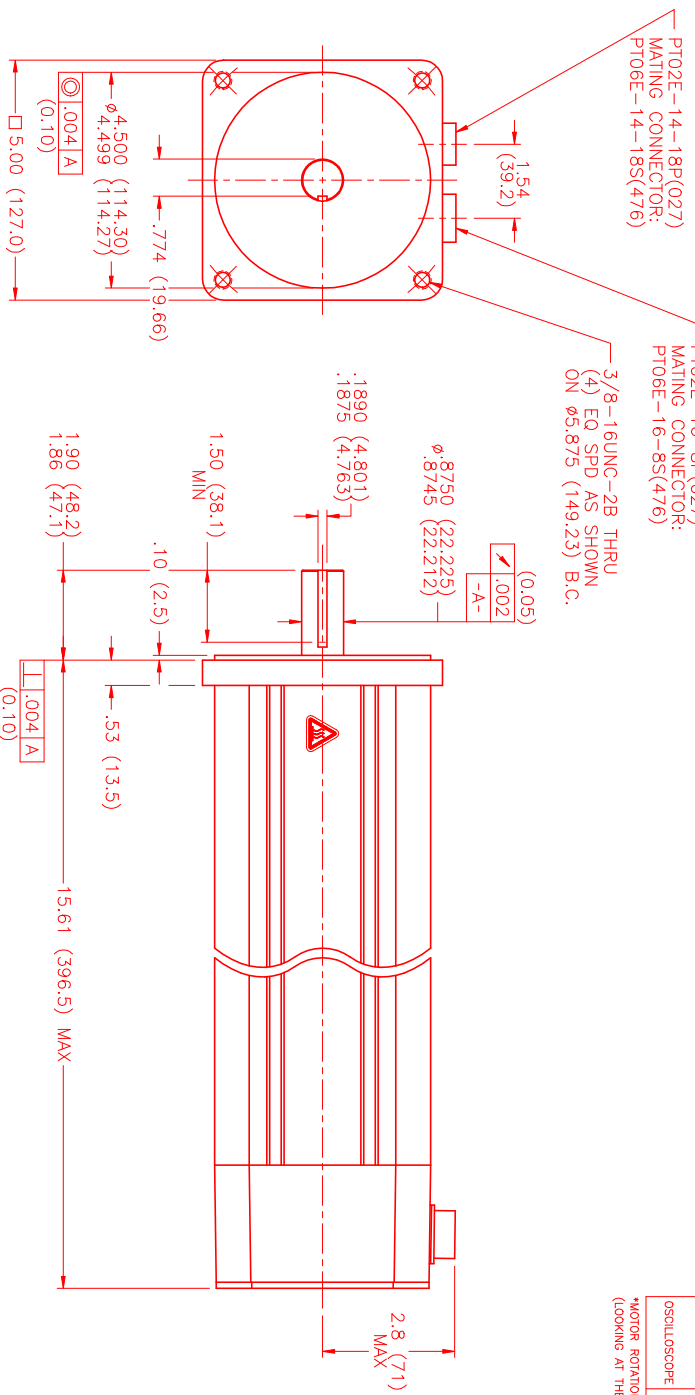
ENCODER/THERM CONNECTOR:
 PT02E-14-18P(027)
 (270-00024)

ENC/THERM WIRE LEADS	PIN	WIRE FUNCTION	WIRE COLOR
A	T	GROUND	BLACK
B	+5VDC	RED	RED
C	CH A	BLUE	BLUE
D	CH A \	BLUE/BLK	BLUE/BLK
E	CH B	GREEN	GREEN
F	CH B \	GRN/BLK	GRN/BLK
G	CH Z	YELLOW	YELLOW
H	CH Z \	YEL/BLK	YEL/BLK
I	CH U	BROWN	BROWN
J	CH U \	BRN/BLK	BRN/BLK
K	CH V	GRAY	GRAY
L	CH V \	GRAY/BLK	GRAY/BLK
M	CH W	WHITE	WHITE
N	CH W \	WHT/BLK	WHT/BLK
O	GND/CABLE	SHLD	SHLD
P	A	THERM	BLACK
Q	J	THERM	BLACK
R	J	GND	GRN/YEL

MOTOR & HALL POSITION CHART

HALL LEADS	BROWN	GRAY	WHITE
ON THE OSCILLOSCOPE	BLACK respect to RED	RED respect to BLUE	BLUE respect to BLACK
VIEW	AAAA	AAAA	AAAA

*MOTOR ROTATION C/W (COUNTER CLOCKWISE) (LOOKING AT THE FACE OF THE MOTOR)



NO.	PART NUMBER	DESCRIPTION	QTY.
UNLESS SPECIFIED			
DESIGN	XXX # 200		
REVISION	1		
DATE	7/20/99		
BY	MVS		
CHECKED			
APPROVED			
SCALE	1/2:1		

REV.	DESCRIPTION	DATE	APPD.
PRELIMINARY		7/20/99	MVS

DATE: 7/20/99
 REVISIONS
 NUMBER: MPM1143ATG6JN1R