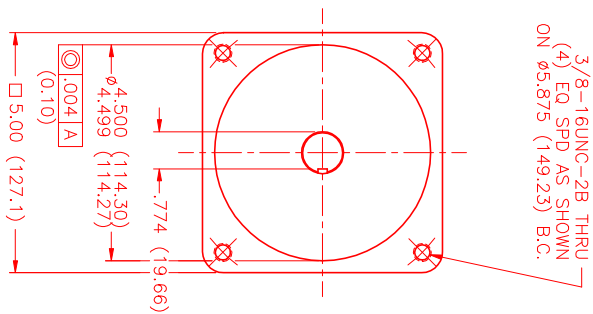


MOTOR DATA @ 230 VAC (TRAP)

MOTOR PARAMETERS	UNITS	VALUE
HORSEPOWER	HP	4.6
KILOWATTS	KW RATED	3.4
MAX. OPERATING SPEED	N MAX	4200
SPEED @ RATED TORQUE	RPM	3000
* CONTINUOUS RATED TORQUE @ 3000 RPM	IN-LBS [Nm]	96.8 [10.9]
* CONTINUOUS STALL TORQUE	IN-LBS [Nm]	116.2 [13.1]
CONTINUOUS LINE CURRENT	AMPS	18.7
PEAK CURRENT	IN-LBS [Nm]	406.7 [45.7]
MAX. THEORETICAL ACCEL.	AMPS	65.6
TORQUE SENSITIVITY	RAD/SEC ²	41.081
BACK EMF (LINE TO LINE)	Kt [IN-LBS/AMP] [Nm/AMP]	6.2 [0.71]
D.C. RESISTANCE (P-P)	Vrms/Krpm	55.0
INDUCTANCE (P-P)	OHMS	0.27
ROTOR INERTIA W/BRAKE	MILLIHENRIES	2.0
STATIC FRICTION	Jm [IN-LBS-SEC ²] [Kg-M ²]	.0099 [0.0112]
	Tf [IN-LBS] [Nm]	1.8 [0.20]

*25°C AMBIENT WITH A MAXIMUM CASE TEMPERATURE OF 100°C ON MOTOR. MOTOR MOUNTED ON A 12" X 12" X 1/2" ALUMINUM HEATSINK. THERMOSTAT IN STATOR WINDINGS WILL OPEN IF WINDING TEMPERATURE EXCEEDS 155°C. THIS ALLOWS FOR AN APPROXIMATE +10% HEADROOM IN THE CONTINUOUS TORQUE RATING BEFORE THERMOSTAT OPENS.

- MECHANICAL NOTES:**
- AXIAL LOAD: 50 LBS MAX
 - RADIAL LOAD: 100 LBS MAX @ 1" FROM FACE
 - MOTOR SEALED TO IP65.
 - MOTOR WEIGHT: 42.6 LBS. [19.3 kg]
 - MOTOR FINISH: BLACK EPOXY
 - MOTOR OUTPUT SHAFT: STAINLESS STEEL
 - INCHES (MILLIMETERS)

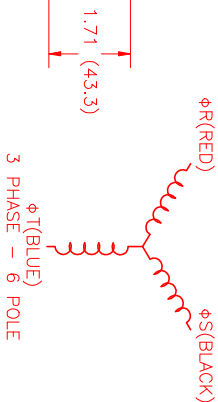
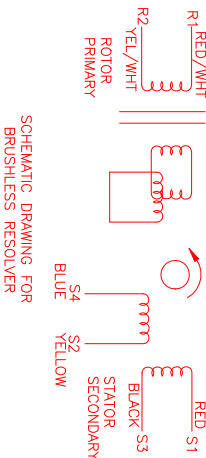
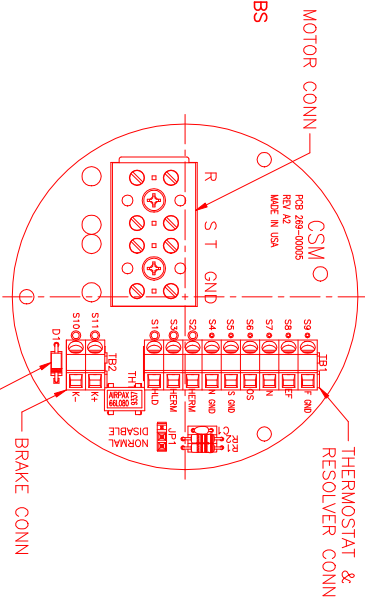
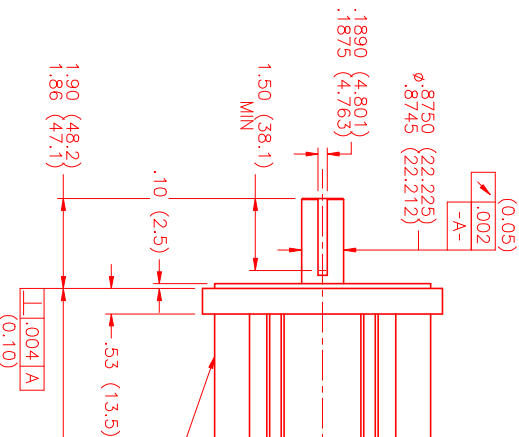


CONNECTION CHART

MOTOR WIRE LEADS	WIRE FUNCTION	WIRE COLOR
S1	BRK (+)	BLUE
S10	BRK (-)	BLUE
S9	REF GND	YEL/WHI
S8	REF	RED/WHI
S7	SIN	YELLOW
S6	COS	RED
S5	COS GND	BLACK
S4	SIN GND	BLUE
S3	THERM	BLACK
S2	THERM	BLACK
S1	RES SHLD	GRN/YEL

RES/THERM/BRAKE WIRE LEADS	WIRE FUNCTION	WIRE COLOR
S11	BRK (+)	BLUE
S10	BRK (-)	BLUE
S9	REF GND	YEL/WHI
S8	REF	RED/WHI
S7	SIN	YELLOW
S6	COS	RED
S5	COS GND	BLACK
S4	SIN GND	BLUE
S3	THERM	BLACK
S2	THERM	BLACK
S1	RES SHLD	GRN/YEL

FALESFAFE BRAKE: (290-00006)
MIN. HOLDING TORQUE: 240 IN-LBS
INPUT VOLTAGE: 24 VOLTS



NO.	PART NUMBER	DESCRIPTION	QTY.
UNLESS SPECIFIED			
DETAILS: 30x4.000			
FINISH: 304 SS			
STANDARD: 3/4"			
SCALE: 1/2"			
DATE: 7/9/99			
DESIGNED BY: MVS			
CHECKED BY:			
APPROVED BY:			
DRAWING NUMBER: MPM1143ATG6C3R			
SCALE: 1/2:1			

REV.	DESCRIPTION	DATE	APPD.
PRELIMINARY		1/27/00	LIN

DATE: 4/19/99/230/ENG/RES/NPT/BRK
DRAWING NUMBER: MPM1143ATG6C3R

NO. PART NUMBER DESCRIPTION QTY.

UNLESS SPECIFIED

DETAILS: 30x4.000
FINISH: 304 SS
STANDARD: 3/4"
SCALE: 1/2"

DATE: 7/9/99

DESIGNED BY: MVS

CHECKED BY:

APPROVED BY:

DRAWING NUMBER: MPM1143ATG6C3R

SCALE: 1/2:1

MTS
Automation Division

RESOLVER ASSEMBLY FOR 304 STAINLESS STEEL MOTOR. SEE DRAWING MPM1143ATG6C3R FOR DIMENSIONS AND TOLERANCES. THIS DRAWING IS A PRELIMINARY DRAWING AND IS SUBJECT TO CHANGE WITHOUT NOTICE.