

**MOTOR DATA @ 230 VAC (TRAP)**

MOTOR PARAMETERS	UNITS	VALUE
HORSEPOWER	HP RATED	1.2
KILOWATTS	KW RATED	.88
MAX. OPERATING SPEED	N MAX RPM	2100
SPEED @ RATED TORQUE	N RATED RPM	1500
* CONTINUOUS RATED TORQUE @ 3000 RPM	IN-LBS/[Nm]	50.0[5.6]
* CONTINUOUS STALL TORQUE	IN-LBS/[Nm]	54.0[6.1]
CONTINUOUS LINE CURRENT	AMPS	4.4
PEAK TORQUE	IN-LBS/[Nm]	189.1[21.3]
PEAK CURRENT	AMPS	15.3
MAX. THEORETICAL ACCEL. TORQUE SENSITIVITY	RAD/SEC <sup>2</sup>	72,961
BACK EMF (LINE TO LINE)	Kt [IN-LBS/AMPI/[Nm/AMP]	12.4[1.42]
D.C. RESISTANCE (P-P)	OHMS	110.0
INDUCTANCE (P-P)	MILLIHENRIES	24.4
ROTOR INERTIA	Jm [IN-LBS-SEC <sup>2</sup> /Kg-M <sup>2</sup> ]	.0026[.000300]
STATIC FRICTION	Tf [IN-LBS/[Nm]	1.0[.11]

\*25°C AMBIENT WITH A MAXIMUM CASE TEMPERATURE OF 100°C ON MOTOR. MOTOR MOUNTED ON A 12" X 12" X 1/2" ALUMINUM HEATSINK. THERMOSTAT IN STATOR WINDINGS WILL OPEN IF WINDING TEMPERATURE EXCEEDS 155°C. THIS ALLOWS FOR AN APPROXIMATE +10% HEADROOM IN THE CONTINUOUS TORQUE RATING BEFORE THERMOSTAT OPENS.

**MECHANICAL NOTES:**

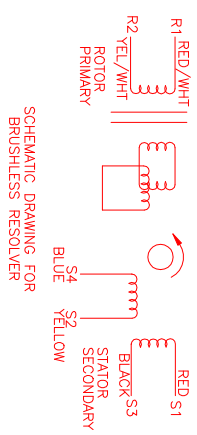
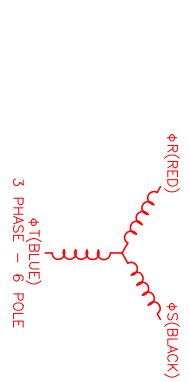
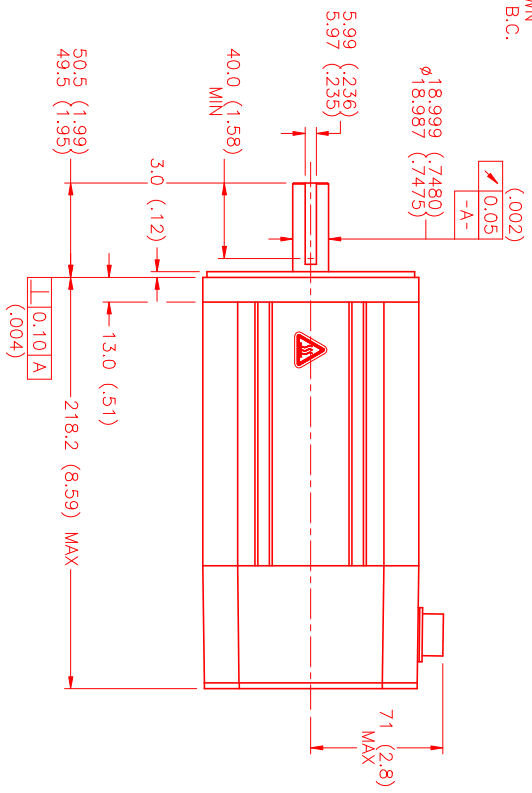
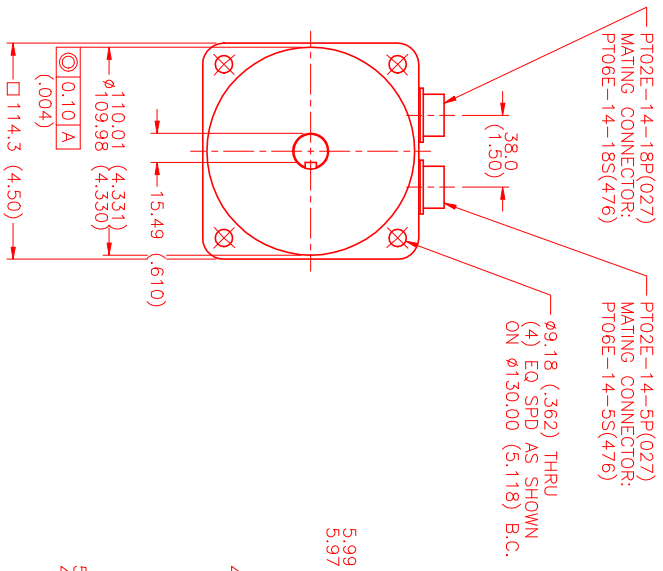
1. AXIAL LOAD: **50** LBS MAX
2. RADIAL LOAD: **100** LBS MAX @ 1" FROM FACE
3. MOTOR SEALED TO IP65.
4. MOTOR WEIGHT: **18** LBS. [ 8.2 kg]
5. MOTOR FINISH: BLACK EPOXY
6. MOTOR OUTPUT SHAFT: STAINLESS STEEL
7. MILLIMETERS (INCHES)

**CONNECTION CHART**  
MOTOR CONNECTOR:  
PT02E-14-5P(027)  
(270-00026)

MOTOR WIRE LEADS	WIRE FUNCTION	WIRE COLOR
A	ΦR	RED
B	ΦS	BLACK
C	ΦT	BLUE
D	PE GND	GRN/YEL
E	-	-

**RESOLVER/THERM CONNECTOR:**  
PT02E-14-18P(027)  
(270-00024)

RES/THERM WIRE LEADS	WIRE FUNCTION	WIRE COLOR
U	THERM	BLACK
N	THERM	BLACK
H	SIN	YELLOW
G	COS GND	BLACK
S	COS	RED
F	SIN GND	BLUE
R	REF GND	YEL/WHI
E	REF	RED/WHI
D	RES SHLD	GRN/YEL
P	GND	GRN/YEL
A	-	-
B	-	-
C	-	-
J	-	-
K	-	-
L	-	-
M	-	-
T	-	-



REV.	DESCRIPTION	DATE	APPD.
1	PRELIMINARY	2/10/00	LIN

NO.	PART NUMBER	DESCRIPTION	QTY.
UNLESS SPECIFIED			
DRINK	XXX # 200		
TECHNICAL	XXX # 200		
SCALE	1/2"		
DATE	12/17/98		
DESIGNED BY	MVS		
CHECKED BY			
APPROVED BY			

**MTS**  
Automation Division

RESOLVER/THERM CONNECTOR  
PT02E-14-18P(027)  
SCALE: 1/2:1