

**MOTOR DATA @ 230 VAC (TRAP)**

MOTOR PARAMETERS	UNITS	VALUE
HORSEPOWER	HP RATED	1.2
KILOWATTS	KW RATED	.88
MAX. OPERATING SPEED	N MAX	2100
SPEED @ RATED TORQUE	N RATED	1500
* CONTINUOUS RATED TORQUE	IN-LBS [Nm]	50.0 [5.6]
* CONTINUOUS STALL TORQUE	IN-LBS [Nm]	54.0 [6.1]
CONTINUOUS LINE CURRENT	AMPS	4.4
PEAK TORQUE	IN-LBS [Nm]	189.1 [21.3]
PEAK CURRENT	AMPS	15.3
MAX. THEORETICAL ACCEL.	RAD/SEC <sup>2</sup>	48,487
TORQUE SENSITIVITY	Kt IN-LBS/AMPI Nm/AMP	12.4 [1.42]
BACK EMF (LINE TO LINE)	Vrms/Krpm	110.0
D.C. RESISTANCE (P-P)	OHMS	3.3
INDUCTANCE (P-P)	MILLIHENRIES	24.4
ROTOR INERTIA W/BRAKE	Jm [IN-LBS-SEC <sup>2</sup> ] Kg-M	.00391 [0.0044]
STATIC FRICTION	Tf [IN-LBS] [Nm]	1.0 [1.11]

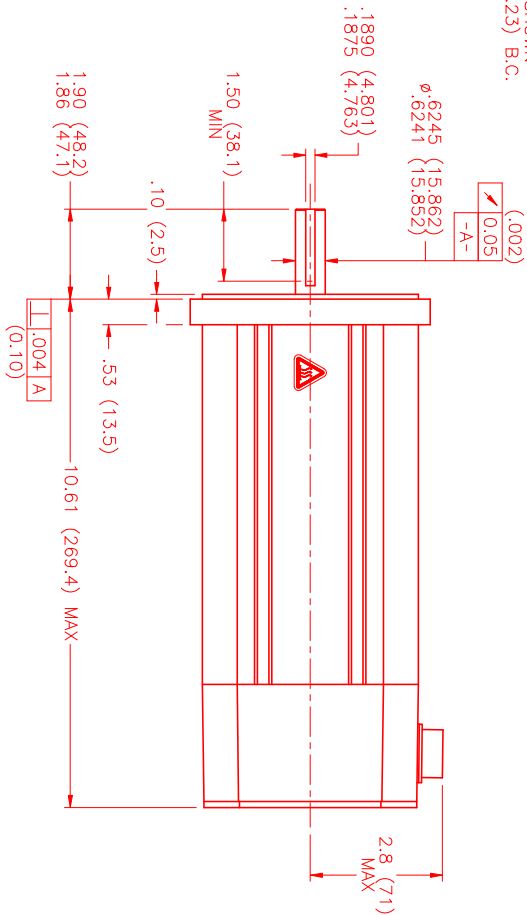
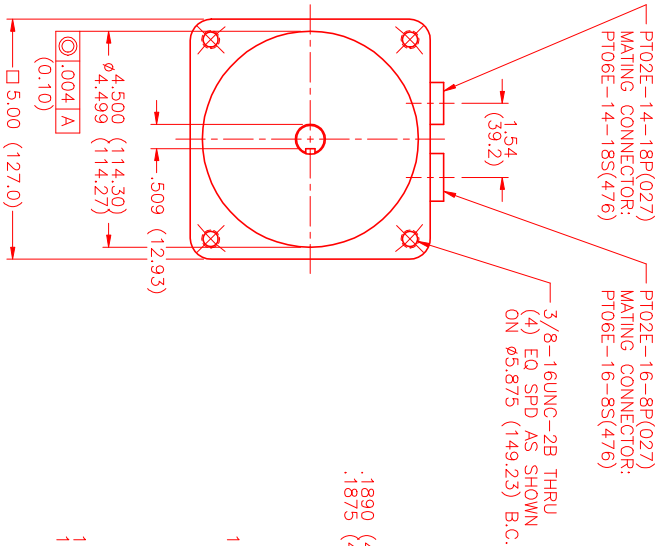
\*25°C AMBIENT WITH A MAXIMUM CASE TEMPERATURE OF 100°C ON MOTOR. MOTOR MOUNTED ON A 12" X 12" X 1/2" ALUMINUM HEATSINK. THERMOSTAT IN STATOR WINDINGS WILL OPEN IF WINDING TEMPERATURE EXCEEDS 155°C. THIS ALLOWS FOR AN APPROXIMATE +10% HEADROOM IN THE CONTINUOUS TORQUE RATING BEFORE THERMOSTAT OPENS.

**MECHANICAL NOTES:**

1. AXIAL LOAD: 50 LBS MAX
2. RADIAL LOAD: 100 LBS MAX @ 1" FROM FACE
3. MOTOR SEALED TO IP65.
4. MOTOR WEIGHT: 23.7 LBS. [ 10.8 Kg]
5. MOTOR FINISH: BLACK EPOXY
6. MOTOR OUTPUT SHAFT: STAINLESS STEEL
7. INCHES (MILLIMETERS)

**FAIL SAFE BRAKE:**

MIN HOLDING TORQUE: 240 IN-LBS  
INPUT VOLTAGE: 24 VOLTS



**CONNECTION CHART**

MOTOR/BRAKE CONNECTOR:  
PT02E-16-8P(027)  
(270-00032)

MOTOR/BRAKE WIRE LEADS	WIRE FUNCTION	WIRE COLOR
A	ΦR	RED
B	ΦS	BLACK
C	ΦT	BLUE
D	PE GND	GRN/YEL
E	BRK SHLD	-
F	BRK (+)	DIODE
G	BRK (-)	IN4007
H	-	-

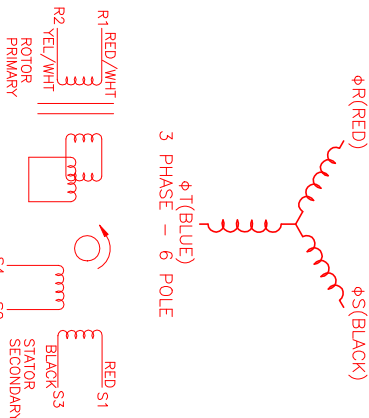
**RESOLVER/THERM CONNECTOR:**

PT02E-14-18P(027)  
(270-00024)

RES/THERM WIRE LEADS	WIRE FUNCTION	WIRE COLOR
A	-	-
B	-	-
C	-	-
D	-	-
E	-	-
F	-	-
G	-	-
H	-	-
I	-	-
J	-	-
K	-	-
L	-	-
M	-	-
T	-	-

REV.	DESCRIPTION	DATE	APPD.
1	PRELIMINARY	1/11/99	MVS

DATE: 1/20/ENG/RES/CONN/BRK  
DRAWING NUMBER: MPM1141BTG6G1R



SCHEMATIC DRAWING FOR BRUSHLESS RESOLVER

NO.	PART NUMBER	DESCRIPTION	QTY.
1	PT02E-16-8P(027)	MOTOR/BRAKE CONNECTOR	1
2	PT02E-14-18P(027)	RESOLVER/THERM CONNECTOR	1

**MVS**  
MVS Systems Corporation  
Automation Division

DESIGNED BY: MVS	CHECKED BY: MVS	DATE: 1/11/99	SCALE: 1/2:1
DRAWN BY: MPM1141BTG6G1R	DATE: 1/11/99	SCALE: 1/2:1	